



Bellows Sealed Stop Valves

Steam & Condensate
Management Solutions



Engineering steam performance

Safe, secure isolation

Isolation is an essential requirement in any fluid system, whether to divert flow, shut down the system, allow access for maintenance or the removal / installation of equipment. When selecting an isolation valve from GESTRA, you can be sure of the highest quality and performance; our valves have been developed with safety, security and sustainability in mind.

GESTRA is focused on helping our customers achieve process efficiency, increased production output, energy savings and compliance to toughening legislation. We are able to do this through our extensive applications and systems knowledge and breadth of solutions.

We know that every plant and process has its own needs, which is why we manufacture isolation valves in a comprehensive range of designs, materials and sizes to suit a wide range of applications and processes. With our expertise in steam systems and other related industrial fluids, we can advise to help you select the best solutions for your requirements.





Introducing the GESTRA GAV 6

The high integrity A3S bellows sealed valve is suitable for use under higher pressure steam, gas, and liquid applications as it is designed to ASME Class 300.





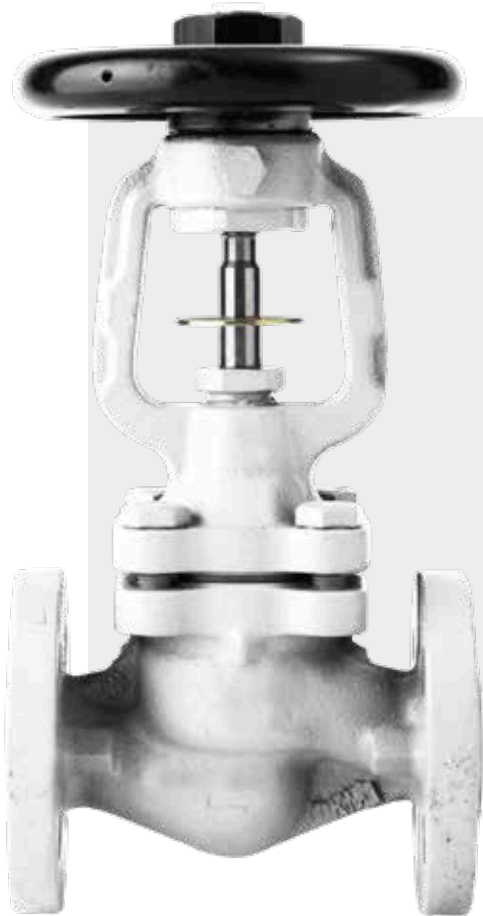
GAV 6 range

Model	Valve trim	Material	Body design rating	Connection	Sizes													
					DN15 1/2"	DN20 3/4"	DN25 1"	DN32 1 1/4"	DN40 1 1/2"	DN50 2"	DN65 2 1/2"	DN80 3"	DN100 4"	DN125 5"	DN150 6"	DN200 8"	DN250 10"	
GAV 63F-T	Throttling plug	Cast iron	16 bar g	Flanged	•	•	•	•	•	•	•	•	•	•	•	•		
GAV 63F	Flat disc														•	•	•	
GAV 63F-B	Balancing disc																	•
GAV 64F-T	Throttling plug	SG Iron	16 bar g	Flanged	•	•	•	•	•	•	•	•	•	•	•	•		
GAV 64F	Flat disc														•	•	•	
GAV 65F-T	Throttling plug	SG Iron	25 bar g	Flanged	•	•	•	•	•	•	•	•	•	•	•	•	•	
GAV 65F	Flat disc														•	•	•	
GAV 66F-T	Throttling plug	Carbon Steel	40 bar g (DIN) 51 bar g (ASME)	Flanged	•	•	•	•	•	•	•	•	•	•	•	•	• (PN25)	
GAV 66F	Flat disc														•	•	•	• (PN25)
GAV 66F-B	Balancing disc														•	•	•	• (PN25)
GAV 66AF-T	Throttling plug	Stainless Steel	40 bar g	Flanged	•	•	•	•	•	•	•	•	•					

GESTRA GAV 6 valve range

Our bellows sealed stop valves are engineered to maintain plant safety and save energy by totally eliminating stem seal leaks. Zero emissions are guaranteed which ensures our GAV valves meet the most stringent worldwide emissions legislation.

The GAV 6F-T offers a throttling plug as opposed to the standard flat disc. The throttling plug allows manual regulation to adjust line pressure and flow, making this a flexible and user-friendly isolation solution. It can also be used as a basic control valve or a substitute for 'bypass' lines. The throttling plug version also benefits from having twin ply bellows which will extend the product's service life. Those valves fitted with a throttling plug have a locking screw as standard, enabling the user to lock the valve in the throttling position.



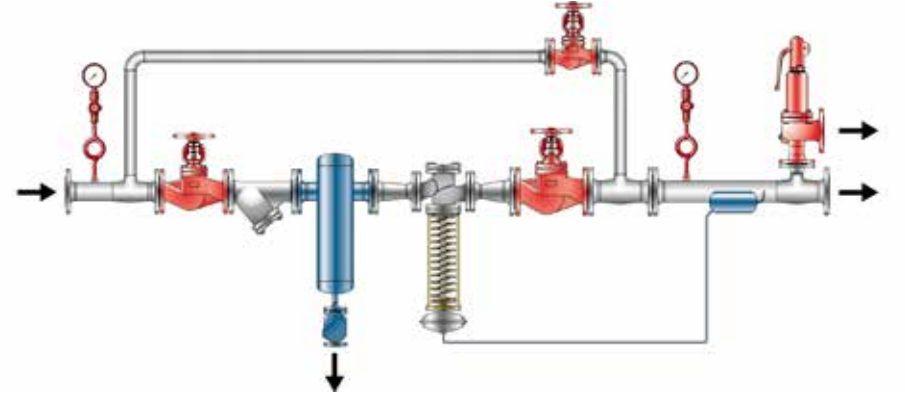
Key features and benefits

- › Bellows sealed design eliminates emissions for improved energy efficiency
- › Fully compliant with the European Pressure Equipment Directive 2014/68/EC
- › Maintenance free giving long life and low cost of ownership
- › Unaffected by vibration and will operate over a wide range of pressures and temperatures

GESTRA GAV 6

Typical application for a bellows sealed valve

GAV valves are suitable for use across many industries including chemicals, power and boiler OEMs.



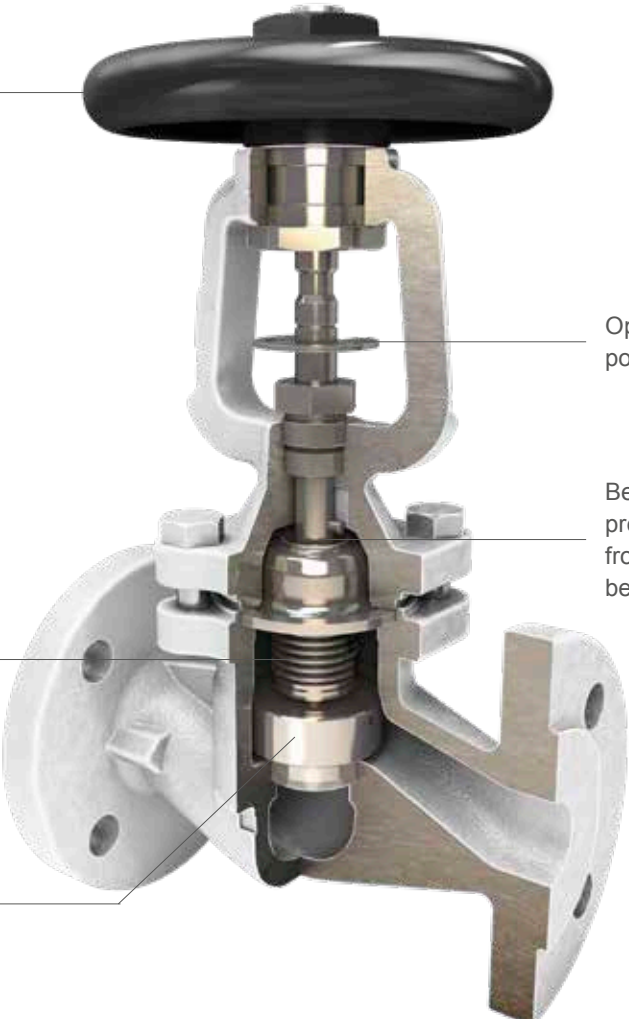
Rugged, non rising handwheel assembly for ease of use

Open / closed position indicator

Bellows anti-torsion device prevents the bellows unit from twisting, extending bellows service life

Titanium stabilised austenitic stainless steel bellows for durability

Optional disc assemblies available:
 - soft sealing discs
 - balancing discs





GESTRA AG

Münchener Str. 77 • 28215 Bremen • Germany Tel. +49 421 3503-0 info@de.gestra.com
Postfach 10 54 60 • 28054 Bremen • Germany Fax +49 421 3503-393 www.gestra.com
819701-01/04-2019sxs_mw • ©2019 • GESTRA AG • Bremen • Subject to technical modifications

