

Energy Savings Made Easy:

Quick TP Insulation Jacket for UNA 4x horizontal DN 15 – 25

Rugged, wear resistant, easy to install

Float type steam traps of UNA 4 series have been released for sale several years ago. The new insulation jacket for UNA 4x h DN15 – 25 makes it easy and simple to save energy.

Unlike common insulation systems this insulation jacket is made to fit the steam trap perfectly, thus no special skills are necessary, everybody can mount it. The easy handling was achieved by two stable half shells, which are fitted to the steam trap. The stable shape of the insulation jacket is extremely resistant to wear and can be used for many years without loss of quality. The insulation material is waterproof, UV-proof, temperature resistant up to 250 °C, has a high chemical resistance and is self-extinguishing.

The impact resistance and the fact that there is no saturation with water are results of the closed cell structure. This guarantees a perfect insulation even if the insulation is exposed to water or steam. The surface temperature is kept below 65 °C. This prevents skin burns as described in DIN EN 563 and is an active measure to increase health and safety.

Special features:

- easy handling
- high chemical resistance
- water-repellent cell structure
- waterproof, UV-proof
- temperature resistant up to 250 °C
- impact and wear resistant
- long service life (>5 years)
- maximum surface temperature 65 °C
- self-extinguishing

Details:

- thickness: 20 mm
- thermal conductivity: 0.07 W/(mK)

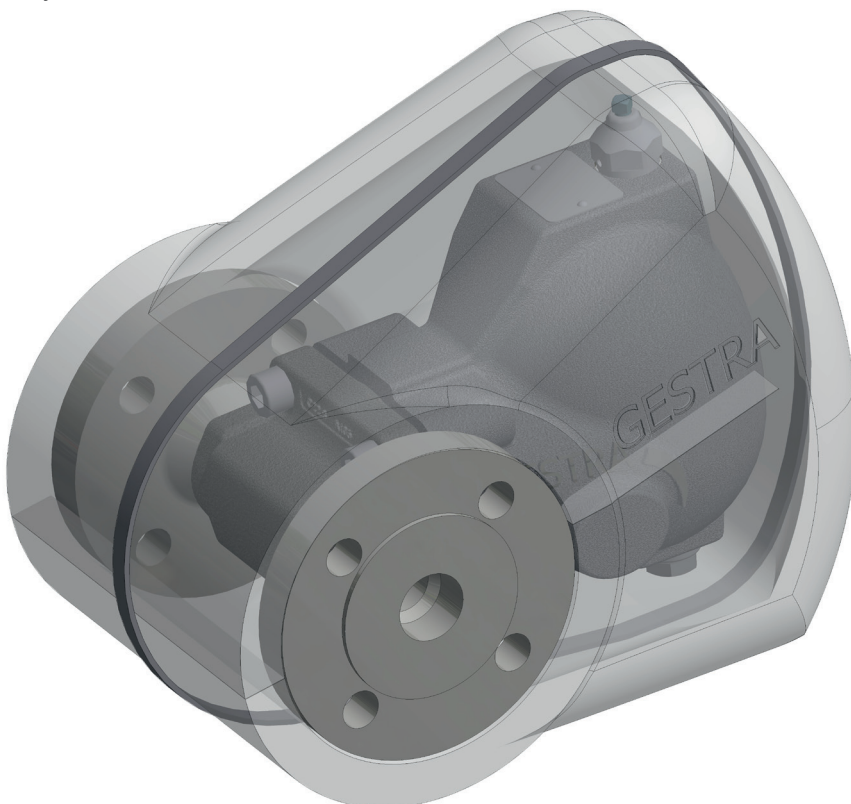


Fig. 1

Quick TP (transparent) with
UNA 4x h DN 15 - 25

Energy Savings Made Easy: Quick TP Insulation Jacket for UNA 4x horizontal DN 15 – 25

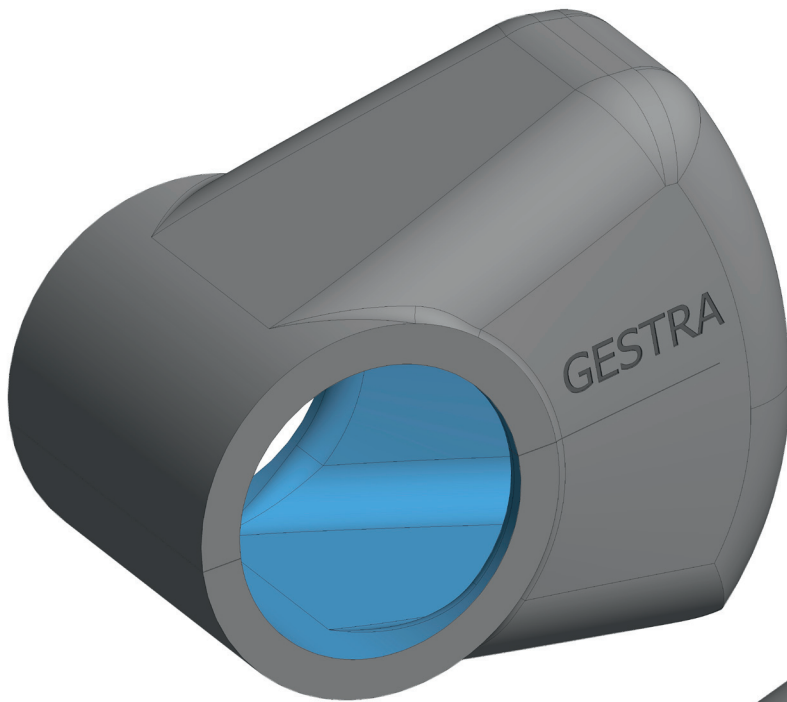


Fig. 2

Quick TP UNA 4x h DN 15 – 25

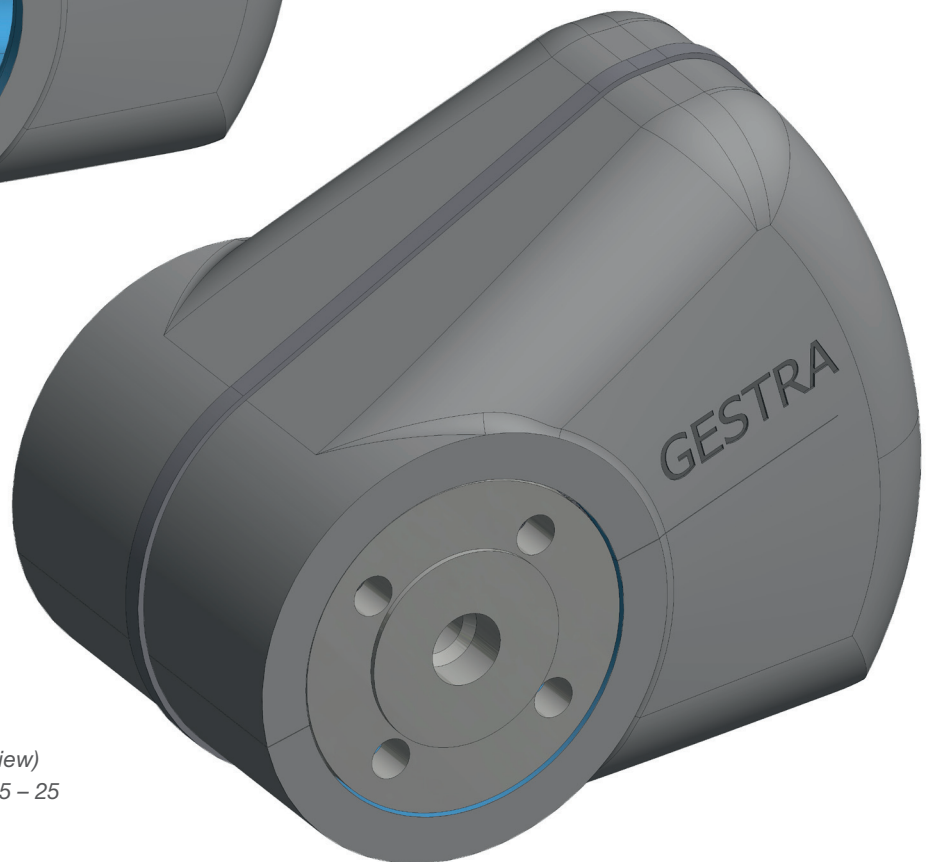


Fig. 3

Quick TP (exterior view)
with UNA 4x h DN 15 – 25

GESTRA AG

Münchener Str. 77 · 28215 Bremen · Germany Tel. +49 421 3503-0 info@de.gestra.com
P.O. Box 10 54 60 · 28054 Bremen · Germany Fax +49 421 3503-393 www.gestra.de

© 2018 · GESTRA AG · Bremen · Printed in Germany · Subject to technical modifications