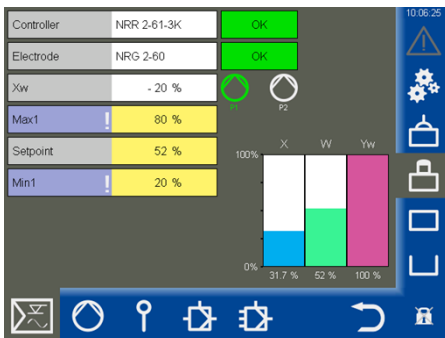
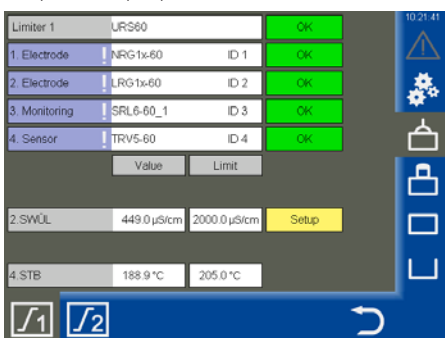


Group 1 - Home screen



Group 2 - Level pump controllers



Group 1 - Limiters

No.	Node-ID	ID	Type	Version	Group
1	1		URS60	311204-12	1
2	2	1	NRG1x-60	311205-13	1
3	3	2	LRG1x-60	311207-15	1
4	4	3	SRL6-60_1	311216-10	1
5	5	4	TRV5-60	311206-12	1
6	6		URS61	311204-12	1
7	7	5	NRG1x-61	311205-13	1
8	8	6	NRG2x-61	311209-13	1
9	10	8	TRV5-60	311206-12	1
10	40		NRR 2-60-1k	311200-28	1
11	41		URW 60	311200-28	1
12	44		NRR 2-61-3k		2

System - Connected participants

Come	Gone	Description
22 08 09 46:06	22 08 09 47:10	L1_C4 Alarm
22 08 07 04:37	22 08 09 45:23	61-NRR-Min alarm
22 08 07 04:36	22 08 07 04:40	64-LRR-Min alarm
22 08 07 04:34	22 08 07 04:45	63-LRR-Min alarm
22 08 07 04:34		63-LRR-Max alarm
22 08 07 04:33	22 08 07 04:34	63-NRG-Offline
22 08 07 04:33	22 08 07 04:42	62-LRR-Min alarm
22 08 07 04:32	22 08 07 04:33	62-NRG-Offline
21 08 13 18:31	22 08 07 04:24	63-LRR-Max alarm
21 08 13 16:15	21 08 13 16:16	64-NRR-Min alarm
21 08 13 16:15	21 08 13 16:16	64-NRR-Max alarm
21 08 13 16:05	21 08 13 16:15	64-NRR-Offline
20 08 10 43:42	22 08 07 04:24	61-NRR-Min alarm
20 08 10 43:35	20 08 10 43:38	61-NRR-Min alarm
20 08 10 43:20	20 08 10 43:29	61-NRR-Min alarm
20 08 10 38:44	20 08 10 38:52	L2_C4 Alarm
20 08 10 38:44	20 08 10 38:52	L1_C1 Alarm
24 08 15 24:49	24 08 15 30:30	61-LRR-Max alarm
24 08 15 11:33	24 08 15 12:42	61-LRR-Max alarm
24 08 12 07 41	24 08 12 07 45	62-NRR 2-Min1 alarm
24 08 12 07 41	24 08 12 07 45	62-NRR-Min alarm
24 08 12 07 41	24 08 12 07 45	61-LRR-Min alarm

Alarm - Alarm history

Visual Display and Operating Unit URB 60

Function

The URB 60 visual display and operating unit collects the data telegrams in the CAN bus from all GESTRA sensors and control units using the CANopen protocol.

The URB 60 enables additional groups, e.g. for feedwater or condensate tanks, to be displayed. A maximum of four groups is possible.

When the system is started, the connected devices are automatically recognised by the URB 60 and entered in a list of equipment along with all parameters. The home screens and navigation buttons for the various groups, e.g. boiler (Group 1) and feedwater tank (Group 2), are displayed dynamically.

Readings, parameters, settings and messages are shown in plain text. When used as the second water level indicator in boiler systems (TRD 401, EN 12952 / ...53), the level is also presented as a bar chart.

You can select various languages for the plain text display.

Multilevel password security

Multilevel password security prevents parameters and settings from being changed by unauthorised persons.

Operation and configuration

The URB 60 is operated and configured on the device itself using the colour touchscreen or via Ethernet using remote software.

An alarm list provides information on pending (come) and expired (gone) alarms. The alarm history stores up to 512 alarms.

A trend chart for each controller can be used to optimise it. The actual value and calculated position are shown.

Integration in the control centre via Modbus interface

The URB 60 features a Modbus TCP interface as standard, which enables problem-free coupling with a control centre. You can retrieve a list of datapoints from our server

Technical data

Supply voltage

- 24 V DC (---) (19.2 V - 30 V)

Power consumption

- Max. 9.5 W

Current input

- Max. 0.4 A (at 24 V)

Required external fuse

- 2A (to UL)

IP rating

- Front: IP 65, (enclosure Type 4X)

- Back: IP 20

Data transmission interfaces

- 1 x Ethernet 10/100 Mbit (Modbus TCP)

- 1 x USB host (version 2.0), not galvanically isolated

- 1 x interface for CAN bus to ISO 11898, CANopen, not galvanically isolated

Indicators and controls

- Resistive 5.7" colour touchscreen with LED backlight

- Resolution: 640 x 480 pixels (WVGA)

- Brightness: 250 Cd/m²

- Size (field of view): 110 mm x 65 mm

Admissible ambient conditions

- Service temperature: 0 °C - 50 °C

- Storage temperature: - 20 °C - 60 °C

- Transport temperature: - 20 °C - 60 °C

- Air humidity: 10 % - 95 % (relative humidity, non-condensing)

Housing

- Material: PC GF

- Front panel: Glass with polyester film

Dimensions

- Front panel: (W x H) 170 x 130 mm, 5 mm thick

- Mounting depth: 34 mm

- Switch panel cutout: (W x H) 157 x 117 mm (± 1 mm)

Weight

- Approx. 0.6 kg

Real-time clock (battery buffered)

- Type: CR 2032 (Li - lithium)

- Buffer time without supply voltage: Typically 10 years

- The battery is permanently installed and cannot be replaced

Visual Display and Operating Unit URB 60

Applicable directives:

The URB 60 has been tested and approved for use in the scope governed by the following directives:

- Directive 2014/30/EU EMC Directive
- Directive 2011/65/EU RoHS II Directive

Notes for planning

As the bus line, use a shielded, multi-core, twisted-pair control cable, e.g. UNITRONIC® BUS CAN 2 x 2 x .. mm² or RE-2YCYV-fl 2 x 2 x .. mm², or the pre-wired control cable available as an accessory.

The baud rate (transfer rate) is determined by the cable length between the bus terminal devices, and the wire cross-section is determined by the overall power input of the measuring sensors.

Cable length: Number of pairs and wire cross-section

- 125 m: 2 x 2 x 0.34 mm²
- 250 m: 2 x 2 x 0.5 mm²
- 335 m: 2 x 2 x 0.75 mm²
- For further cable lengths, see notes in the Installation & Operating Manual.

How to order:

Visual display and operating unit

Type:

- URB 60

Stock code:

393093

Dimensions of the URB 60

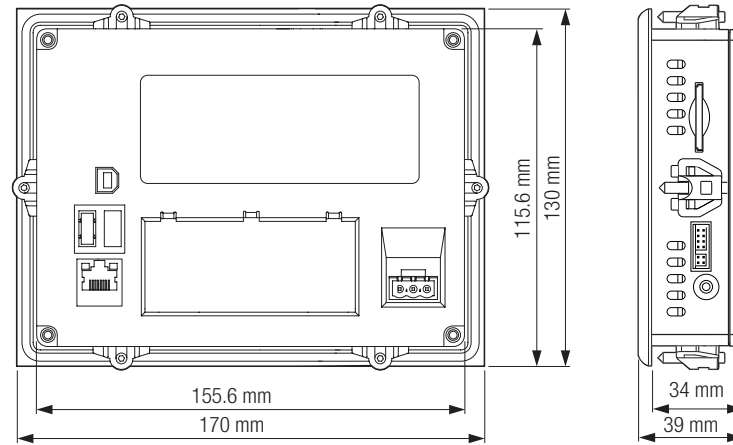
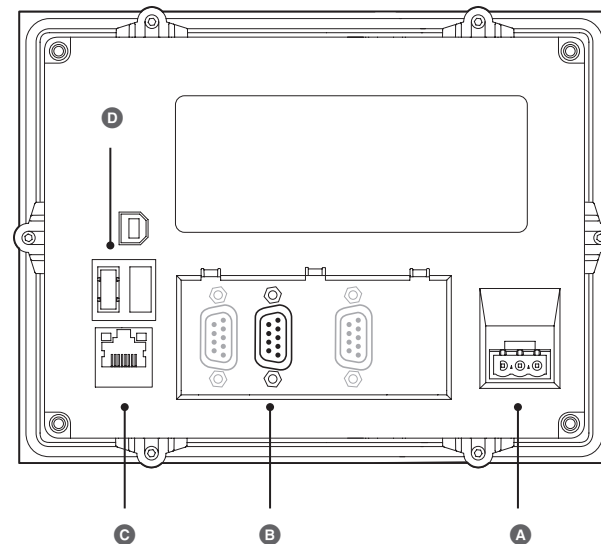






Fig. 1

Electrical connection



- A**  1 x 3-pole connector for 24 V DC supply voltage (SELV)
- B**  1 x CAN bus connector (9-pole, D-Sub, male, UNC)
- C**  1 x Ethernet connections 10/100 Mbit (Modbus TCP), socket RJ45
- D**  1 x USB host, supports USB 2.0, maximum cable length 5 m

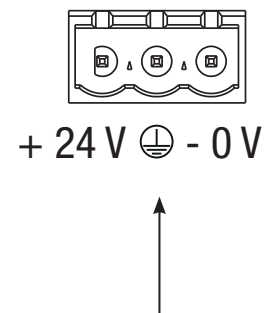


Fig. 2



Use a SELV power supply unit for connecting the supply voltage. For connection to the supplied 3-pole connector, use a cable with a max. cross-section of 2.5 mm².

Please note our terms of sale and delivery.

GESTRA AG

Münchener Strasse 77, 28215 Bremen, Germany
Tel. +49 421 3503-0, Fax +49 421 3503-393
e-mail info@de.gestra.com, Web www.gestra.com

