

NRS 1-52

Level Switch NRS 1-52

Description

The level switch NRS 1-52 in conjunction with level electrodes NRG 16-.. and ER 5. is used as limit switch, for instance in steam boiler and (pressurized) hot-water installations. The level switch detects and indicates a MIN and a MAX water level.

The level switch can work with following level electrodes: NRG 10-52, NRG 16-52, NRG 16-36, NRG 16-4 and ER 5.-1.

Function

The operation of the level switch NRS 1-52 is based on the conductive measuring principle using the electrical conductivity of the water for signalling water level. The level switch is designed for different electrical conductivities and for connecting two level electrodes.

The length of the associated electrode rod determines the MIN and MAX water level switchpoints.

The level switch detects that the MIN or MAX water level is reached when the corresponding electrode rod is exposed or submerged. After the de-energizing delay has elapsed, the MIN or MAX output contact is switched over. At the same time the MIN or MAX LED changes from green to red.

A MIN or MAX alarm can be simulated by pressing the button "Test".

Application in potentially explosive atmospheres

Do not use the equipment in potentially explosive atmospheres.

Technical data

Supply voltage

24 VDC, + / -20 %, 0.1 A

Fuse

external 0.5 A (semi-delay)

Power consumption

2 VA

Connection of level electrode

2 inputs for level electrode NRG 10-52, NRG 16-52, NRG 16-36, NRG 16-4 and ER 5.-1, 4 poles with screen

Sensitivity of response

(Electrical conductivity of water at 25 °C)
>0.5 ... < 1000 µS/cm or >10 ... < 10 000 µS/cm (switch-selectable)

Outputs

2 volt-free change-over contacts,
8 A 250 V AC / 30 V DC cos φ = 1
De-energizing delay: 3 sec.
Provide inductive loads with RC combinations according to manufacturer's specification to ensure interference suppression.

Indicators and adjusters

1 pushbutton "Test" for simulating MIN / MAX alarm,
2 red/green LEDs for indicating operating mode and MIN / MAX alarm,
1 green LED indicating "Power ON",
1 code switch with 4 poles for changing the sensitivity

Housing

Housing material: base: polycarbonate, black
Front: polycarbonate, grey.
Terminal strips separately detachable.
Fixing of enclosure: Mounting clip on supporting rail TH 35, EN 60715

Electrical safety

Pollution degree 2.

Protection

Housing: IP 40 to EN 60529
Terminal strip: IP 20 to EN 60529

Weight

approx. 0.2 kg

Further conditions:

Ambient temperature

when system is switched on: 0 ... 55 °C,
during operation: -10 ... 55 °C

Transport temperature

-20 ... +80 °C (< 100 hours), defrosting time of the de-energized equipment before it can be put into operation: 24 hours.

Storage temperature

-20 ... +70 °C, defrosting time of the de-energized equipment before it can be put into operation: 24 hours.

Relative humidity

max. 95%, no moisture condensation

Level Switch NRS 1-52

Important Notes

The level switch NRS 1-52 is clipped onto the support rail in the control cabinet.

The equipment is supplied with 24 V DC and fused with an external semi-delay fuse 0.5 A.

The power supply unit must be electrically isolated from dangerous contact voltages and must meet at least the requirements on double or reinforced isolation according to one of the following standards: EN 61010-1, EN 60730-1, EN 60950 or EN 62368-1.

To prevent the welding together of contacts provide an external slow-blow fuse T 2.5 A or 1.0 A (72 hrs. operation) for the output contacts.

When switching off inductive loads, voltage spikes are produced that may impair the operation of control systems. Connected inductive loads must be provided with suppressors such as RC combinations as specified by the manufacturer.

To connect the level electrode(s) use screened multi-core control cable with a min. conductor size 0.5 mm², e. g. LIYCY 3 x 0.5 mm², max. length: 100 m.

Make sure that connecting cables leading to the level electrodes are segregated and run separately from power cables.

Order & Enquiry Specification

Level switch type NRS 1-52

GESTRA SPECTOR_{module}

Output: 2 volt-free change-over contacts MIN/MAX alarm

De-energizing delay: 3 seconds

Supply voltage: 24 V DC, 2 VA

Key

- 1 Upper terminal strip
- 2 Lower terminal strip
- 3 Housing
- 4 Supporting rail type TH 35, EN 60715
- 5 Connection of supply voltage 24 V DC with fuse 0.5 A (semi-delay), provided on site
- 6 Reference electrode or vessel used as functional earth
- 7 MIN electrode rod
- 8 MAX electrode rod
- 9 Central earthing point (CEP) in control cabinet
- 10 MAX output contact
- 11 MIN output contact
- 12 Level electrode NRG 10-52, NRG 16-52, five pole connector
- 13 Level electrode NRG 16-36
- 14 Level electrode ER 5.. 4 pole connector
- 15 Level electrode ER 5.. 5 pole connector
- 16 Level electrode NRG 16-4

Directives and Standards

For more information on the conformity of the equipment as well as applied Directives and Standards please refer to our Declaration of Conformity and associated certificates and/or approvals.

Supply in accordance with our general terms of business.

Dimensions

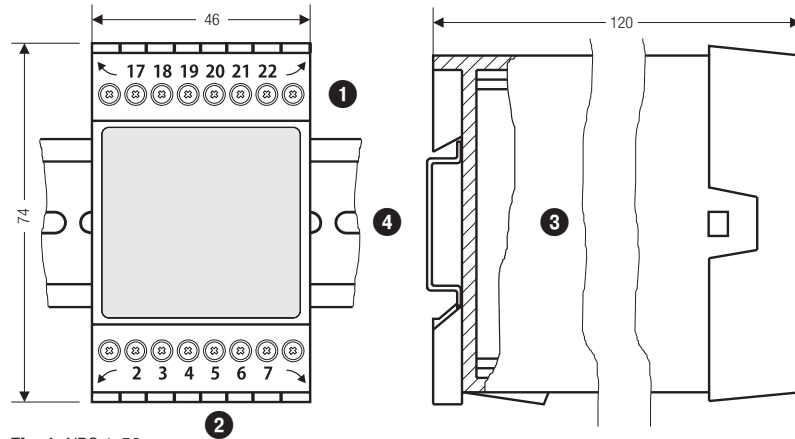


Fig. 1 NRS 1-52

Electrical connection

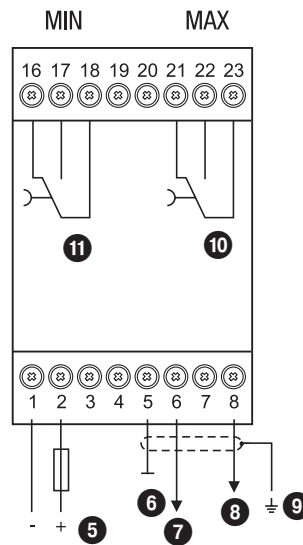
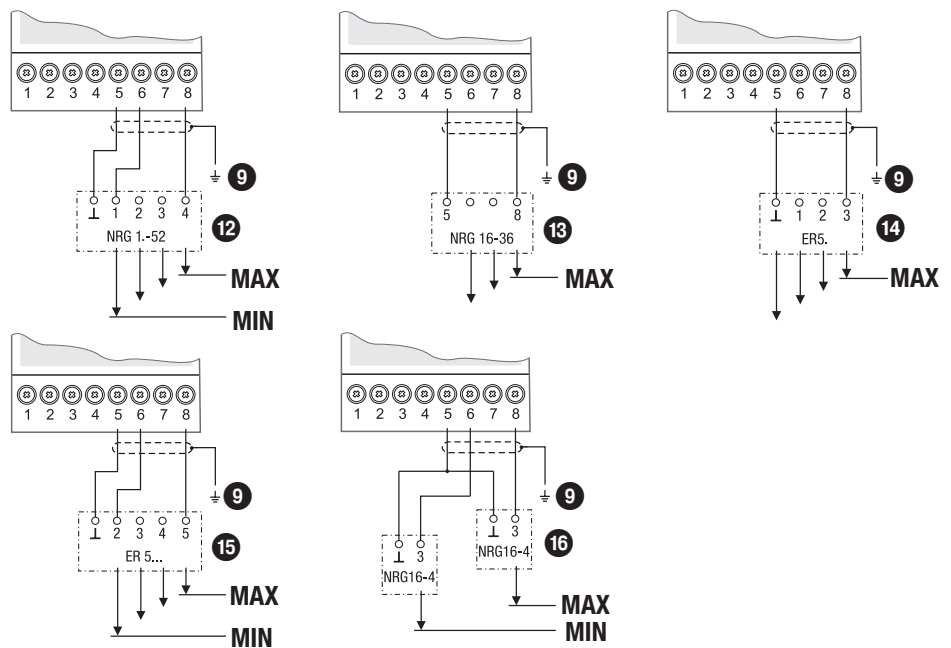


Fig. 2

Connecting several level electrodes



GESTRA AG

Münchener Straße 77, 28215 Bremen, Germany
 Telefon +49 421 3503-0, Telefax +49 421 3503-393
 E-mail info@de.gestra.com, Web www.gestra.com

