

IB 16A-7

Inverted Bucket Steam Trap IB 16A-7

Equipment specification

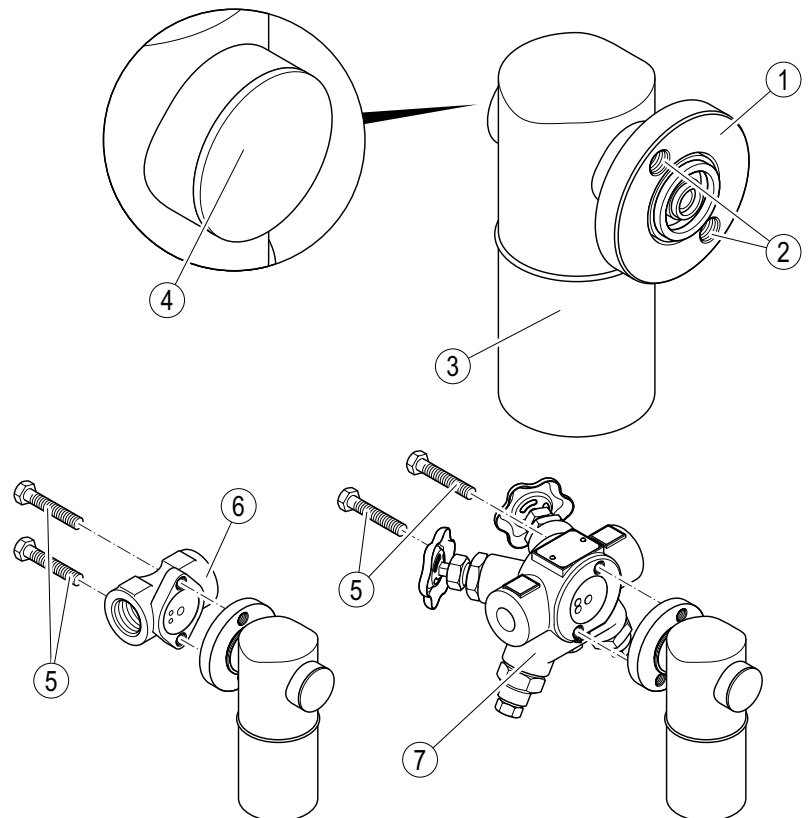
Steam trap made from stainless steel, with integral spiral wound gasket, suitable for fitting to a universal ("Swivel") connector. The inverted bucket steam trap is very robust, unaffected by corrosion and has an excellent ability to handle dirt.

The orifice, which is located in the upper part of the body, is controlled by the vertical movement of the inverted bucket. Air is vented through the small hole in the top of the inverted bucket.

The equipment is designed for initial installation or replacement for use with universal connectors. The ring flange (supplied but not fitted) is attached to the universal connector via two hexagon-head cap screws.

The equipment is available with GESTRA universal connector type UC 36 or UCY 36 or with GESTRA TrapStation TS 36.

The equipment is available with different orifices for various differential pressures ΔPMX .



No.	Designation
1	Ring flange for universal ("Swivel") connector
2	Threaded bores
3	Body
4	Name plate

No.	Designation
5	Screws
6	UC 36 or UCY 36
7	TS 36-1 or TS 36-2

Pressure & temperature ratings

ΔPMX [bar]	PMO	ΔPMX [psi]	PMO
4.8	28 bar at 425 °C	70	400 psig at 800 °F
8.6		125	
17.2		250	
27.6		400	

(values according to ASME BPVC Section VIII/1 UG-101)

Inverted Bucket Steam Trap IB 16A-7

Specification Text

GESTRA Steam trap for universal connector
 Type: IB 16A-7
 End connection: Universal connectors of all types and makes
 PMO: 28 bar at 425 °C (400 °psig at 800 °F)
 Body material: 1.4306/A240-304L

Optional GESTRA universal connector

- ▶ UC 36
- ▶ UCY 36

or GESTRA TrapStation

- ▶ TS 36-1
- ▶ TS 36-2

End connection: Screwed sockets G, NPT, socket-weld ends

Nominal size

- ▶ Universal connector: ½", ¾", 1"
- ▶ TrapStation: ½", ¾"

PMO: 33.7 bar at 242 °C (489 psig at 467 °F)

TMA: 400 °C (750 °F)

Material: 1.4408/A351-CF8M

Pressure rating: CL 300

Fastener: 2 hexagon-head cap screws

Inspection certification: 2.2/3.1

Inspection & Certification

Documentation regarding material tests and in-house examination with test report EN10204 available. All inspection requirements have to be stated with the enquiry or order. After supply of the equipment certification cannot be established. Charges and extent of the above mentioned test certificates as well as the different tests confirmed therein are listed in our Price List "Test and Inspection Charges for Standard Equipment". For other tests and inspections than those listed above, please consult us.

Application of European Directives

Pressure Equipment Directive (PED)

The equipment conforms to this directive and can be used for the following media:

- Fluids of group 2

ATEX Directive

The equipment does not have its own potential ignition source and is not subject to this directive.

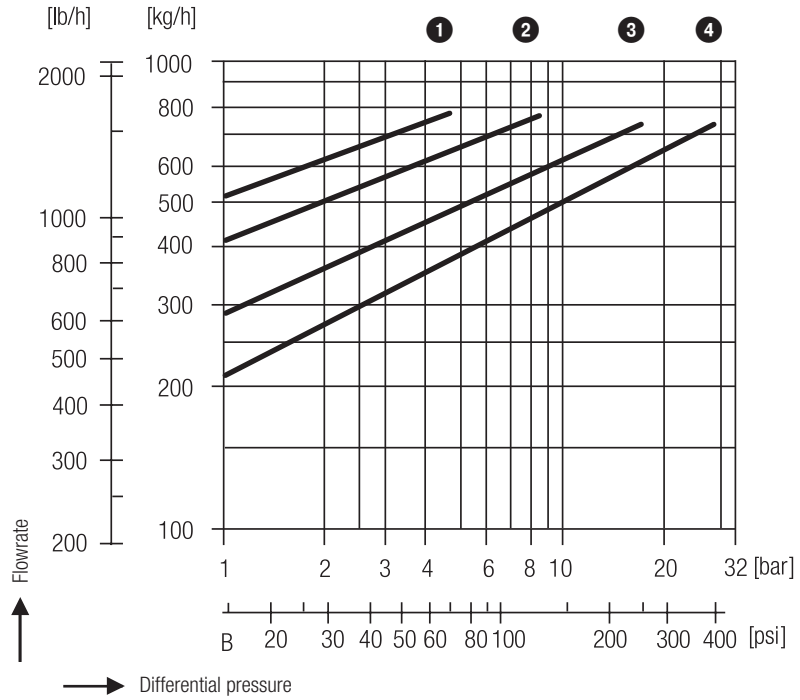
Static electricity: When installed, static electricity may arise between the equipment and the connected system.

When used in potentially explosive atmospheres, the plant manufacturer or plant operator is responsible for discharging or preventing possible static charge.

If it is possible for medium to escape, e.g. through actuating mechanisms or leaks in threaded joints, the plant manufacturer or plant operator must take this into consideration when dividing the area into zones.

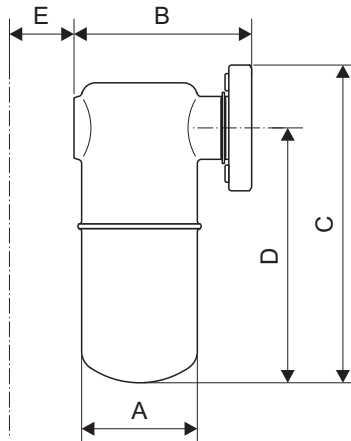
Supply in accordance with our general terms of business.

Capacity Chart



	Orifice		ΔPMX	
	[mm]	[inch]	[bar]	[psi]
①	4.0	5/32	4.8	70
②	3.2	1/8	8.6	125
③	2.4	3/32	17.2	250
④	2.0	5/64	27.6	400

Dimensions and Weights



Dimensions	[mm]	[inch]
A	66	2.6
B	104	4.1
C	178	7.0
D	142	5.6
E (withdrawal distance)	64	2.5

Weight	1.5 kg	3.3 lb
--------	--------	--------

Materials

Component	EN	ASTM
Body	1.4306 ¹⁾	A240-304L
Internals	Stainless steel	Stainless steel

¹⁾ EN nearest equivalent is stated for guidance only. Observe the different physical and chemical properties of EN and ASTM materials!

GESTRA AG

Münchener Straße 77, 28215 Bremen, Germany
 Telefon +49 421 3503-0, Telefax +49 421 3503-393
 E-mail info@de.gestra.com, Web www.gestra.de

