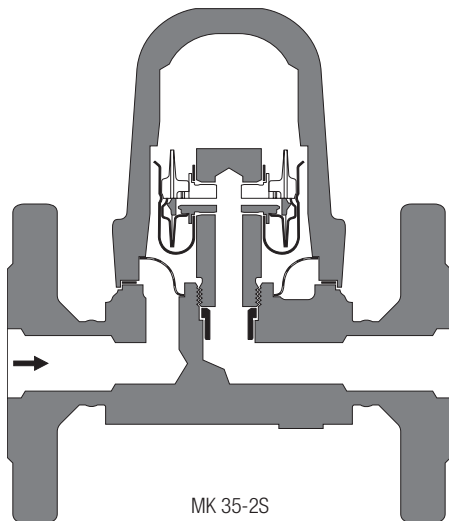
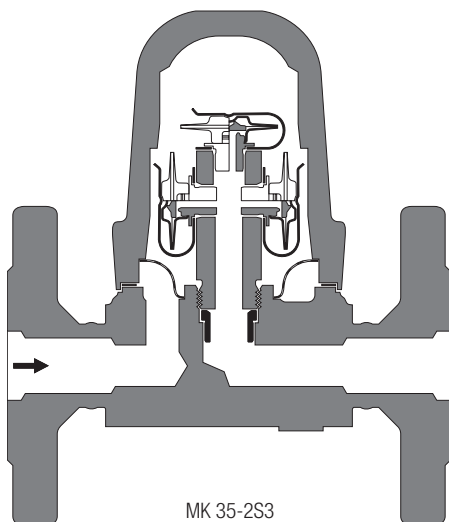


MK 35-2S, MK 35-2S3



MK 35-2S



MK 35-2S3

### Connections

- Flange EN 1092-1 B1, PN 40
- Flange ASME B 16.5, Class 150 RF
- Flange ASME B 16.5, Class 300 RF
- Screwed socket ISO 228-1, G
- Screwed socket ASME B 16.11, NPT
- Socket-weld end DIN EN 12760/ASME B 16.11, CL 3000

## Thermostatic Steam Trap

### MK 35/2S, MK 35/2S3

PN40/CL300

DN 25, NPS 1"

### Description

Thermostatic steam traps with corrosion resistant 5H2 membrane regulator capsule, unaffected by water hammer and with flat seal. With integral strainer. Installation in any position.

The "H" version discharges the condensate supercooled to approx. 5 K. The superheating of the steam at the membrane regulator capsule must not exceed 5 °C.

### Design

#### MK 35/2S

With two 5H2 membrane regulator capsules. For condensate flowrates up to e.g. 1100 kg/h at  $\Delta p$  5 bar.

#### MK 35/2S3

With three 5H2 membrane regulator capsules. For condensate flowrates up to e.g. 1700 kg/h at  $\Delta p$  5 bar

### Fluids

The equipment is designed for the following fluids (in accordance with the EU Pressure Equipment Directive or Pressure Equipment (Safety) Regulations in the UK):

#### MK 35/2S, MK 35/2S3

- Group 2 fluids

Chemical and corrosive influences must be taken into consideration.

### Use in potentially explosive atmospheres

The equipment does not have its own potential source of ignition (as per ATEX Directive). Please note the following:

Once installed, static electricity may arise between the equipment and the connected system. If the equipment is used in potentially explosive atmospheres, the plant manufacturer or owner is responsible for discharging or preventing possible static charge.

If it is possible for fluid to escape, e.g. through actuating mechanisms or leaks in threaded joints, the plant manufacturer or owner must take this into consideration when dividing the area into zones.

### Function

The equipment is used for discharging condensate from steam or for venting steam lines.

The condensate is discharged by two or three membrane regulator capsules and associated nozzle holder insert.

### Material

Component	EN	ASTM/ASME
Body, cover	1.0460	SA105
Screw	1.7225	A193 B7/SA193 B7
Gasket	Graphite/CrNi	
Membrane regulator capsule	Hastelloy®/Stainless steel	
Other internal parts	Stainless steel	

Thermostatic Steam Trap  
**MK 35/2S, MK 35/2S3**

**Pressure and temperature ratings**

The superheating of the steam at the membrane regulator capsule must not exceed 5 °C.

**MK 35/2S, MK 35/2S3: Flange PN40**

p Pressure <sup>1</sup>	barg	40.0	33.3	27.6	25.7	23.8	17.1
T Temperature <sup>1</sup>	°C	-10 — 20	200	300	350	400	420
Δ PMX Max. admissible differential pressure	bar	32					

<sup>1</sup> Ratings for strength of body/cover to EN 1092-1

**MK 35/2S, MK 35/2S3: Flange CL150**

p Pressure <sup>1</sup>	barg	19.6	17.7	13.8	10.2	8.4	5.5
T Temperature <sup>1</sup>	°C	-29 — 38	100	200	300	350	425
Δ PMX Max. admissible differential pressure	bar	19.6					
p Pressure <sup>1</sup>	psig	285	260	200	140	110	80
T Temperature <sup>1</sup>	°F	-20 — 100	200	400	600	700	800
Δ PMX Max. admissible differential pressure	psi	284					

<sup>1</sup> Ratings for strength of body/cover to ASME B16.5

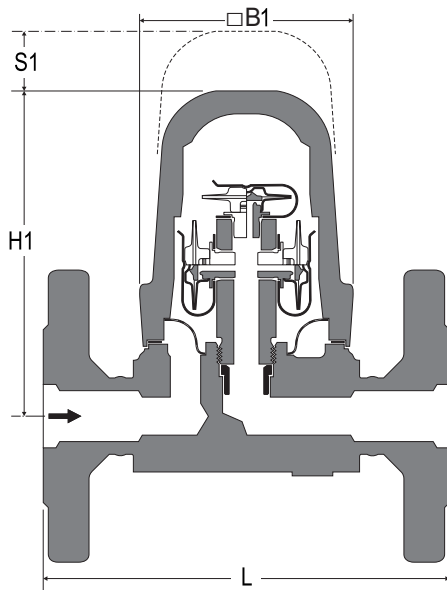
**MK 35/2S, MK 35/2S3: Flange CL300, screwed socket G, screwed socket NPT, socket-weld end EN/ASME CL3000**

p Pressure <sup>1</sup>	barg	51.1	43.8	39.8	37.6	34.7	28.8
T Temperature <sup>1</sup>	°C	-29 — 38	200	300	350	400	425
Δ PMX Max. admissible differential pressure	bar	32					
p Pressure <sup>1</sup>	psig	740	680	635	570	530	410
T Temperature <sup>1</sup>	°F	-20 — 100	200	400	600	700	800
Δ PMX Max. admissible differential pressure	psi	465					

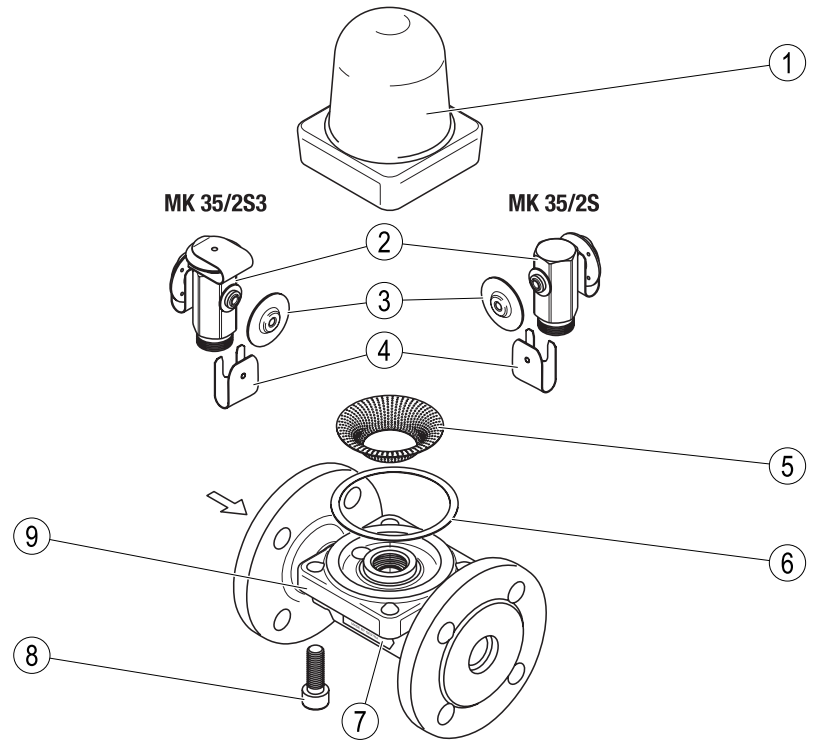
<sup>1</sup> Ratings for strength of body/cover to ASME B16.5

Thermostatic Steam Trap  
**MK 35/2S, MK 35/2S3**

No.	Designation
1	Cover
2	Nozzle holder insert
3	Membrane regulator capsule
4	Clip for securing membrane regulator capsule
5	Strainer
6	Gasket
7	Name plate as a direction of flow arrow
8	Screw
9	Body



**Equipment parts**



**Dimensions and weights**

**All equipment**

Nominal size	Flange		Screwed socket/socket-weld end
	DN	25	
	NPS	1"	
H1	mm	124	
L Length	mm	160	95
Width	mm	84	
□ B1 Cover width	mm	82	
S1 Cover service dimensions	mm	60	
Weight	kg	6.3	3.9

# Thermostatic Steam Trap

## MK 35/2S, MK 35/2S3

### Flow chart

The chart shows the maximum capacity for hot and cold condensate.

### MK 35/2S

#### Curve 4:

Condensate temperature 5 K below boiling point.

#### Curve 2:

Cold condensate at 20°C (when starting up).

### MK 35/2S3

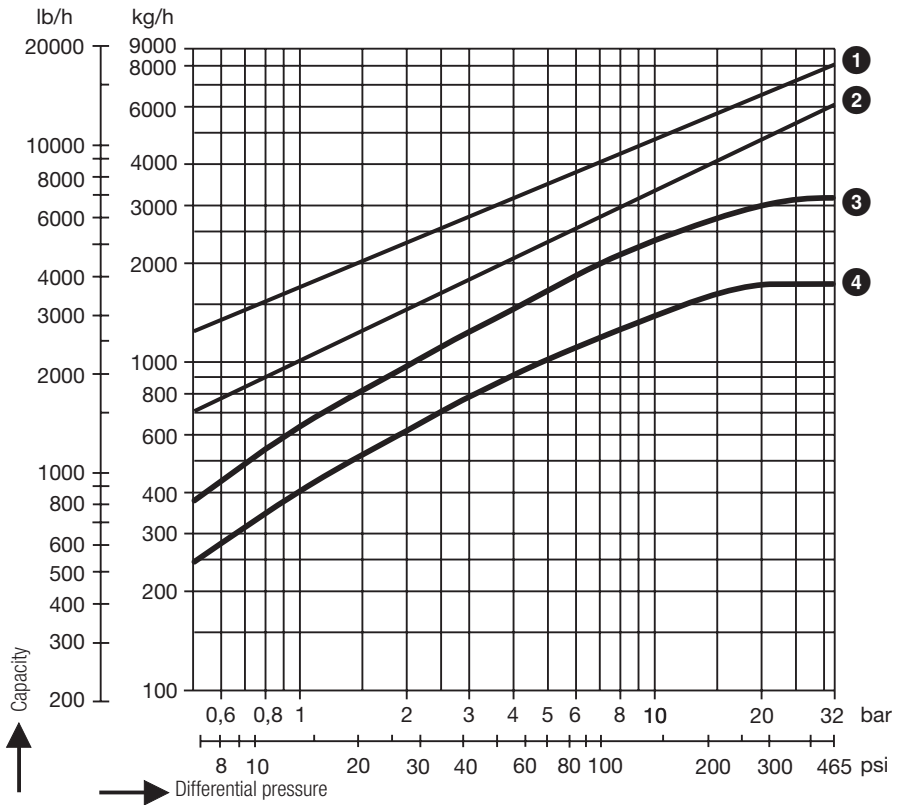
#### Curve 3:

Condensate temperature 5 K below boiling point.

#### Curve 1:

Cold condensate at 20°C (when starting up).

### Flow chart



### How to order

GESTRA Thermostatic Steam Trap

Type: MK 35/2S (1.0460)

MK 35/2S3 (1.0460)

Connection: Flange/socket-weld end/screwed/  
screwed socket G/screwed socket NPT

Nominal size: DN 25/NPS 1"

Pressure rating: PN40/CL150/CL300

### Acceptance inspections

An inspection certificate to EN 10204 can be provided as verification of material and construction tests. All inspection requirements must be included in the request for a quote or in the order. Once a product has been delivered, inspection certificates can no longer be issued. The standard test scope and costs of the above-mentioned test certificates can be found in our price list "Test and Inspection Charges for Standard Equipment". If you require a different inspection scope, please request a separate quote.

### Directives and standards

You can find details on the conformity of the equipment and the applicable standards and directives in the Declaration of Conformity and associated certificates or approvals.

Please note our general terms of business.

## GESTRA AG

Münchener Straße 77, 28215 Bremen, Germany  
Tel. +49 421 3503 0, Fax +49 421 3503 393  
e-mail info@de.gestra.com, website www.gestra.com

