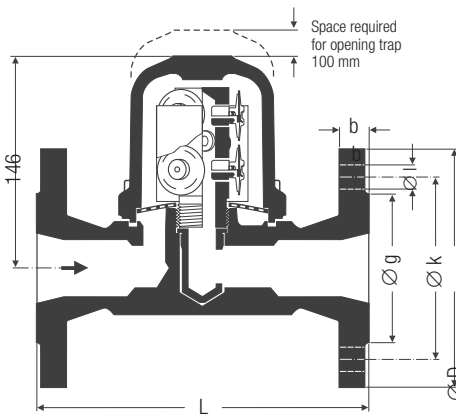


MK 25/2, DN 40 and 50 mm (1½ and 2")



MK 25/2 S, DN 40 and 50 mm (1½ and 2")

Steam Traps
MK 25/2, MK 25/2 S
PN 40 / Class 300, DN 40 and 50 mm (1½ and 2")
Description

Thermostatic steam traps with corrosion resistant thermostatic capsule (membrane regulator). Integral strainer, asbestos-free cover gasket (graphite/CrNi). Installation in any position.

MK 25/2

With four thermostatic capsules "5H2". For condensate flowrates up to e. g. 2800 kg/h at $\Delta p = 5$ bar.

MK 25/2 S

With nine thermostatic capsules "5H2". For condensate flowrates up to e. g. 5000 kg/h at $\Delta p = 5$ bar.

Pressure / Temperature Ratings		PN 40				
Body material		1.0460 (C 22.8) / ASTM A 105				
Nominal sizes (DN)		40, 50				
Connection		Flanged DIN PN 40				
Max. allowable pressure PMA	[barg] [psig]	40 580	35 508	28 406	21 305	14.5 210
Inlet temperature TMA	[°C] [°F]	20 68	200 392	300 572	400 752	450 842

Pressure / Temperature Ratings		Class 300				
Body material		1.0460 (C 22.8) / ASTM A 105				
Nominal sizes (DN)		40, 50				
Connection		Flanged ASME Class 300				
Max. allowable pressure PMA	[barg] [psig]	51 740	43.9 637	38.9 565	34.6 501	20.2 294
Inlet temperature TMA	[°C] [°F]	20 68	200 392	300 572	400 752	450 842

Pressure / Temperature Ratings		Class 150				
Body material		1.0460 (C 22.8) / ASTM A 105				
Nominal sizes (DN)		40, 50				
Connection		Flanged ASME Class 150				
Max. allowable pressure PMA	[barg] [psig]	19.7 287	14 203	10.2 149	6.5 94.3	4.6 66.7
Inlet temperature TMA	[°C] [°F]	20 68	200 392	300 572	400 752	450 842

Max. admissible differential pressure ¹⁾		
Differential pressure ΔPMX (inlet pressure minus outlet pressure)	[bar] [psig]	22 319

¹⁾ Observe pressure/temperature ratings!

Materials	DIN		ASTM equivalent
	new designation	old designation	
Body		C 22.8 (1.0460)	A 105
Cover MK 25/2		C 22.8 (1.0460)	A 105
Cover MK 25/2 S	GP240GH	GS-C 25 (1.0619)	A 216 Gr WCB
Bolts		42CrMo4 (1.7225)	A 193 B 7
Body gasket	Graphite		
Thermostatic capsule	Hastelloy® / Stainless steel		
Other internals	Stainless steel		

Dimensions and Weights	Flanged DIN		Flanged ASME		Screwed sockets Socket-weld ends		Butt-weld ends		
	[mm] [inch]								
Nominal size	40 1½	50 2	40 1½	50 2	40 1½	50 2	40 1½	50 2	
Face-to-face dimensions L	[mm]	230	230	230	130	210	250	240	
Approx. weight [kg]	MK 25/2	11	12.5	11	12.5	6.3	7.7	6.8	7.5
	MK 25/2 S	11.5	13	11.5	13	6.8	8.5	7.3	8

Connection

Flange: DIN 2635, form C, PN 40.

ASME B 16.5, 150 RF and 300 RF.

Socket-weld ends

Butt-weld ends

Screwed to BSP and NPT

Steam Traps

MK 25/2, MK 25/2 S

PN 40 / Class 300, DN 40 and 50 mm

(1½ and 2")

Capacity Chart

The chart shows the maximum capacities for hot and cold condensate.

MK 25/2

Curve 1:

Condensate temperature 10 K (degC) below saturation temperature.

Curve 2:

Cold condensate at a temperature of 20 °C (start-up capacity).

MK 25/2 S

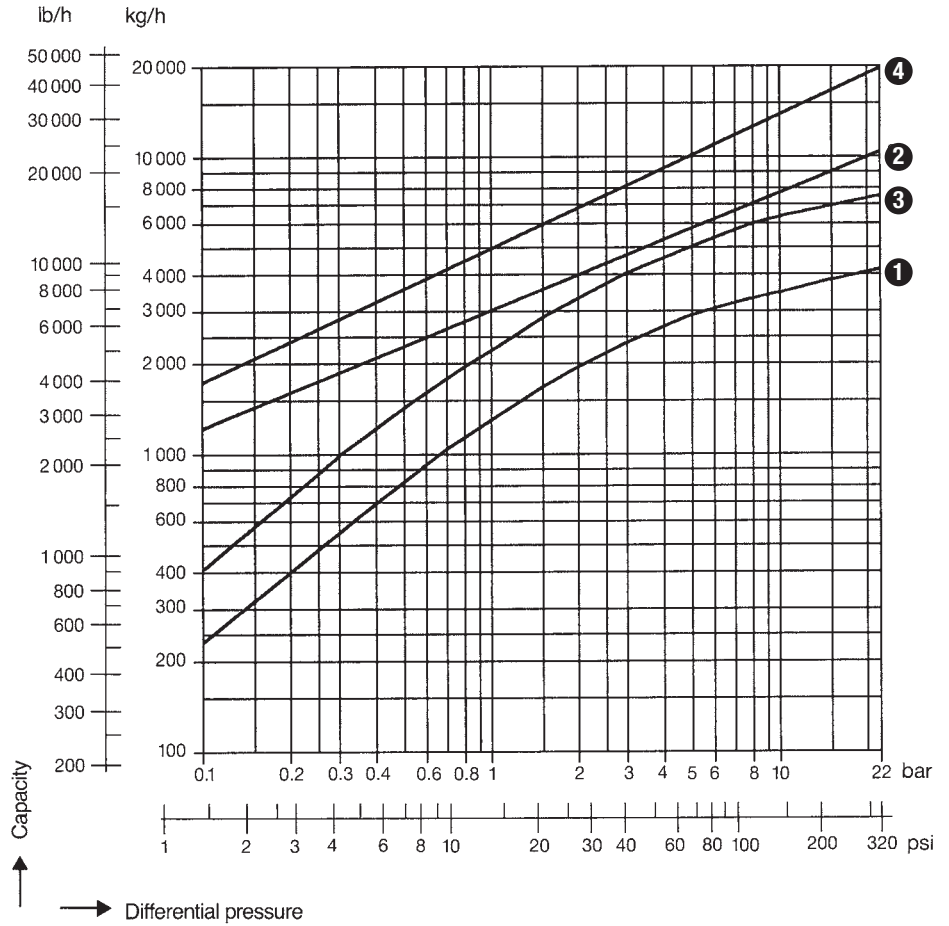
Curve 3:

Condensate temperature 10 K (degC) below saturation temperature

Curve 4:

Cold condensate at a temperature of 20 °C (start-up capacity)

Capacity Chart



When ordering please state:

Steam pressure, back pressure, quantity of condensate to be discharged, type, size, connections, mounting position of the trap and details of application.

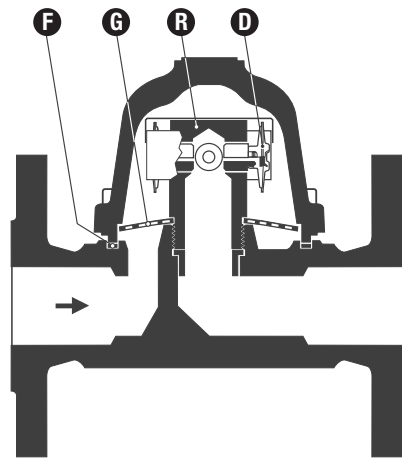
The following test certificates can be issued on request, at extra cost:

In accordance with DIN EN 10204/2.2. and -3.1B. All inspection requirements have to be stated with the order. After supply of the equipment certification cannot be established. For tests and inspection charges please consult us.



These products comply with the requirements of the EC Pressure Equipment Directive (PED) 97/23. DN 40, 50 with CE marking.

Supply in accordance with our general terms of business.



Item	Designation	Stock code	
		MK 25/2	MK 25/2 S
R	Regulator with cover gasket	098770	098774
D	Capsule 5H2 ¹⁾	376174	376174
F	Gasket ²⁾ 92.7 x 102 x 1	087095	087095
G	Strainer, cover gasket	375698	375698

¹⁾ Packed 10 per box. Contact your local dealer for smaller quantities.

²⁾ Packed 20 per box. Contact your local dealer for smaller quantities.

GESTRA AG

Münchener Straße 77, 28215 Bremen, Germany
 Telefon +49 421 3503-0, Telefax +49 421 3503-393
 E-mail info@de.gestra.com, Web www.gestra.de

