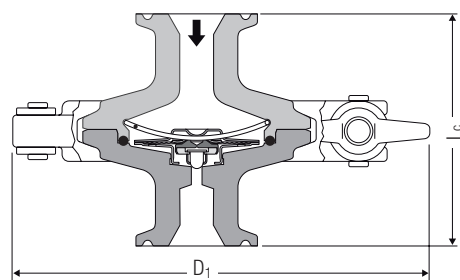
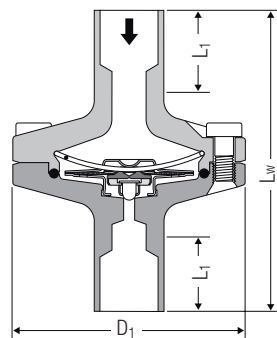


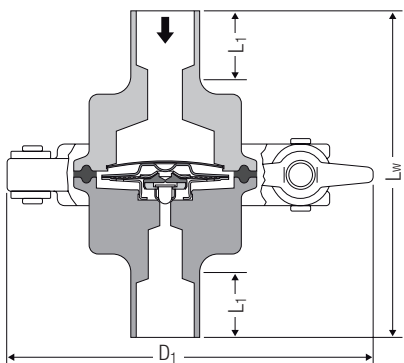
SMK 22 with joint clamp and butt-weld ends



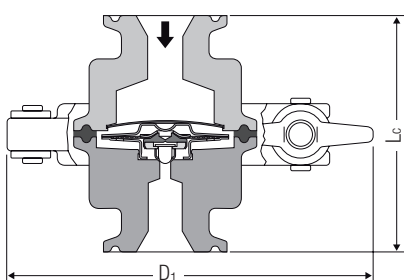
SMK 22 with joint clamp and clamp connections



SMK 22, screwed, with butt-weld ends



SMK 22-51 with joint clamp and butt-weld ends



SMK 22-51 with joint clamp and clamp connections

Steam Trap

STERIlIine®

SMK 22, SMK 22-51

suitable for clamp connections to DIN 32676,
for pipes to DIN 11866 (DIN 11850, ISO 1127, ASME-BPE)
PN 10

Description

The thermostatic steam trap features a minimum stagnant area and corrosion-resistant thermostatic capsule with membrane regulator, which is unaffected by water hammer. Used for removing condensate and air venting steam in sterile and aseptic applications.

The thermostatic capsule with membrane regulator and rolling ball features a self-centring ball stud that can move freely, ensuring a steam-tight seal that is unaffected by dirt particles.

The regulator (evaporation thermostat) is highly sensitive due to its very small size. The steam trap removes condensate throughout the entire pressure/temperature range without delay, and vents automatically. The opening temperature is approx. 5 K below boiling point.

All parts in contact with fluid are made of stainless steel. The body gasket is of PTFE (FPM) or EPDM, in accordance with the requirements of the FDA (Food and Drug Administration).

The surface roughness Ra of the wetted surface is $\leq 0.8 \mu\text{m}$, optionally $\leq 0.6 \mu\text{m}$ or $\leq 0.4 \mu\text{m}$ (SMK 22 only).

Pressure/temperature ratings

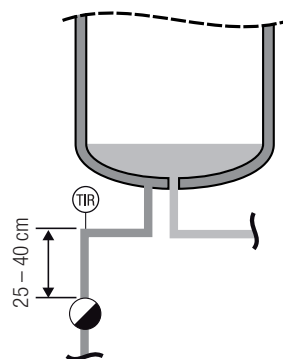
	SMK 22	SMK 22-51	Body gasket
PMA (max. admissible service pressure) [bar]g	10	10	
TMA (max. admissible service temperature) [°C]	150		EPDM ¹⁾
TMA (max. admissible service temperature) [°C]	185	185	PTFE (with FPM core) ¹⁾
Δ PMX [bar]	6	6	

¹⁾ Complies with FDA requirements

Materials

	SMK 22	SMK 22-51
Body	1.4435	1.4404
Body gasket	EPDM	PTFE (with FPM core)
Optional body gasket	FEP (with FPM core)	
Thermostatic capsule with membrane regulator	Hastelloy / 1.4571	Hastelloy / 1.4571
Spring	1.4310	1.4310
Joint clamp	1.4408	1.4408
Optional hexagon nut	1.4571	1.4571

Distance of steam trap from temperature measuring point



Distance between steam traps and temperature measuring point

Dimensions

		SMK 22 joint clamp and screw version	SMK 22-51
Butt-weld ends	L _w	83	90
Clamp	L _c	65	65
Butt-weld ends	L ₁	25	20
	D ₁	105	120

Weights

		SMK 22 joint clamp and screw version	SMK 22-51
Butt-weld ends, clamp	[kg]	< 1 kg	< 1 kg

Pipe dimensions of butt-weld ends

Nominal size		8	10	15	20	25
		inch	3/8"	1/2"	3/4"	1"
EN ISO 1127, series 1	d x s	13.5 x 1.6	17.2 x 1.6	21.3 x 1.6	26.9 x 1.6	33.7 x 2.0
DIN 11850, series 2	d x s		13.0 x 1.5	19.0 x 1.5	23.0 x 1.5	29.0 x 1.5
ASME BPE	d x s			12.7 x 1.65	19.05 x 1.65	24.4 x 1.65

With tolerances to DIN 32676

Steam Trap

STERIline®

SMK 22, SMK 22-51

Suitable for clamp connections to DIN 32676, for pipes to DIN 11866 (DIN 11850, ISO 1127, ASME-BPE)

PN 10

Flow diagram

The diagram shows the maximum flowrates of hot and cold condensate.

Curve 1

The steam trap discharges the hot water flowrates stated here with virtually no banking-up.

Curve 2

Maximum flowrate of cold condensate (20°C on start-up).

Types of connection

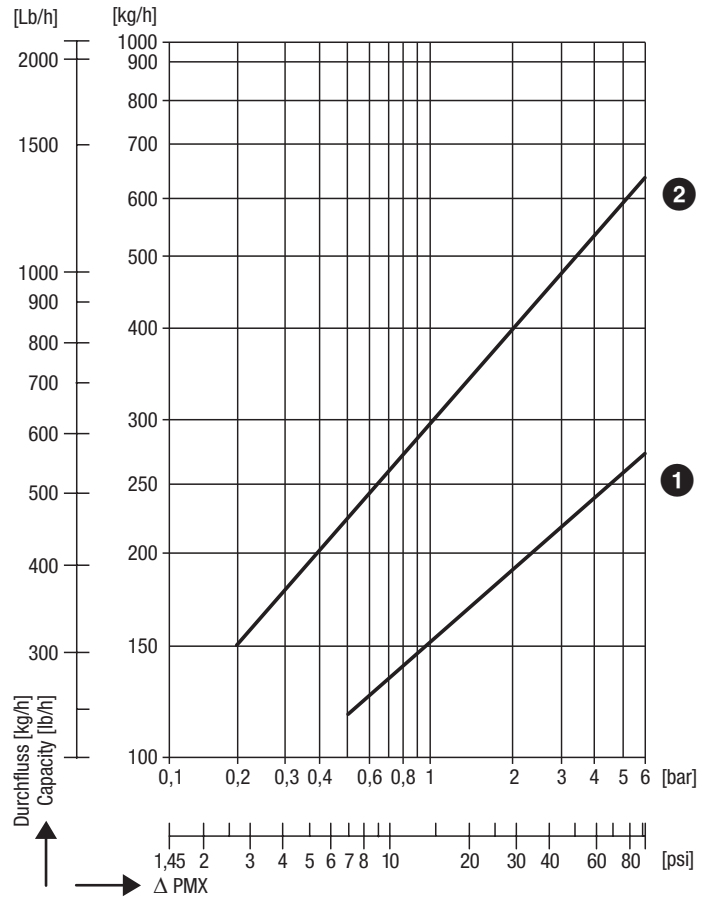
Butt-weld ends for pipes to

DIN 11850
EN ISO 1127
ASME BPE

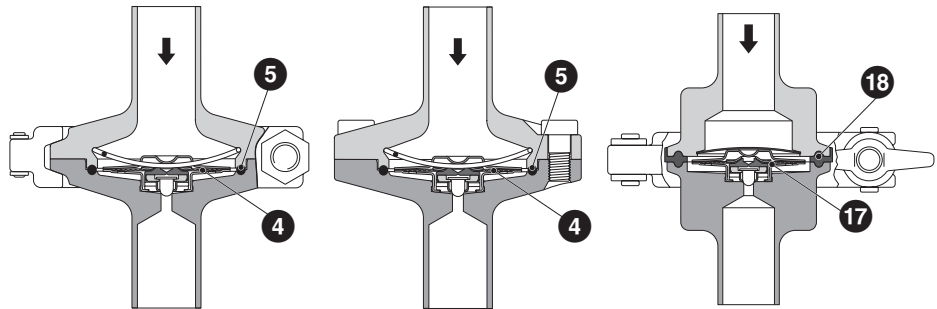
Clamp to DIN 32676, suitable for clamp connections to

DIN 32676
ISO 2852
BS 4825

Flow diagram for SMK 22, SMK 22-51



Spare parts



When ordering please state

Steam pressure, back pressure, quantity of condensate to be discharged, type, type of connection, connection size, installation location of steam trap and details of application.

Possible for an additional price:

Test certificates to EN 10204/2.2 and -3.1B. All test requirements must be stated in the order. Test certificates can no longer be issued after delivery. The cost and scope of the above-mentioned test certificates and the tests it certifies can be found in our price list "Test and Inspection Charges for Standard Equipment".

For tests and inspections other than those mentioned above, please consult us.

Please note our terms of sale and delivery.

Part	Designation	Year of manufacture	Stock code
4 5	Thermostatic capsule with membrane regulator STERline, EPDM O-ring, FDA compliant	up to year of manufacture 2012	450030
4 5	Thermostatic capsule with membrane regulator STERline 1, EPDM O-ring, FDA compliant	from year of manufacture 2013	450032
4 5	Thermostatic capsule with membrane regulator STERline, FEP O-ring with FPM core, FDA compliant	up to year of manufacture 2012	450031
4 5	Thermostatic capsule with membrane regulator STERline 1, FEP O-ring with FPM core, FDA compliant	from year of manufacture 2013	450033
5	EPDM O-ring, FDA compliant		450037
5	FEP O-ring with FPM core, FDA compliant		450038
17 18	Thermostatic capsule with membrane regulator STERline 1, PTFE body gasket with FPM core, FDA compliant		450034
18	Body gasket SMK 22-51 (10x)		450039

GESTRA AG

Münchener Strasse 77, 28215 Bremen, Germany
Tel. +49 421 3503-0, Fax +49 421 3503-393
e-mail info@de.gestra.com, Website www.gestra.com

