
**Fig. 1**

- ❶ Panel Adaptor with front membrane
- ❷ Gasket
- ❸ Clamp
- ❹ Screw M5x20 ISO 7045 Z
- ❺ Thumb screw M4x16

## Panel Adaptor Large

### Description

The Panel Adaptor Large is designed for use with the large form factor SPECTOR<sup>modul</sup> controllers without rotary button (e.g. NRS 1-50, 1-51) and enables controller installation in a control cabinet door. It offers the advantage of status visibility and alarm testing without opening the cabinets door. The installed adaptor fulfills the protection class IP65.

### Technical data

#### Materials

- Panel Adaptor: Polycarbonate
- Front membrane: Polyester film
- Gasket: Cellular rubber
- Clamp: Galvanized steel
- Screw: Galvanized steel
- Thumb screw: Polyamid 6.6

#### Protection

- IP65 when mounted as shown in the installation section

#### Weight

- approx. 0.108 kg (including screws, clamps and gasket)

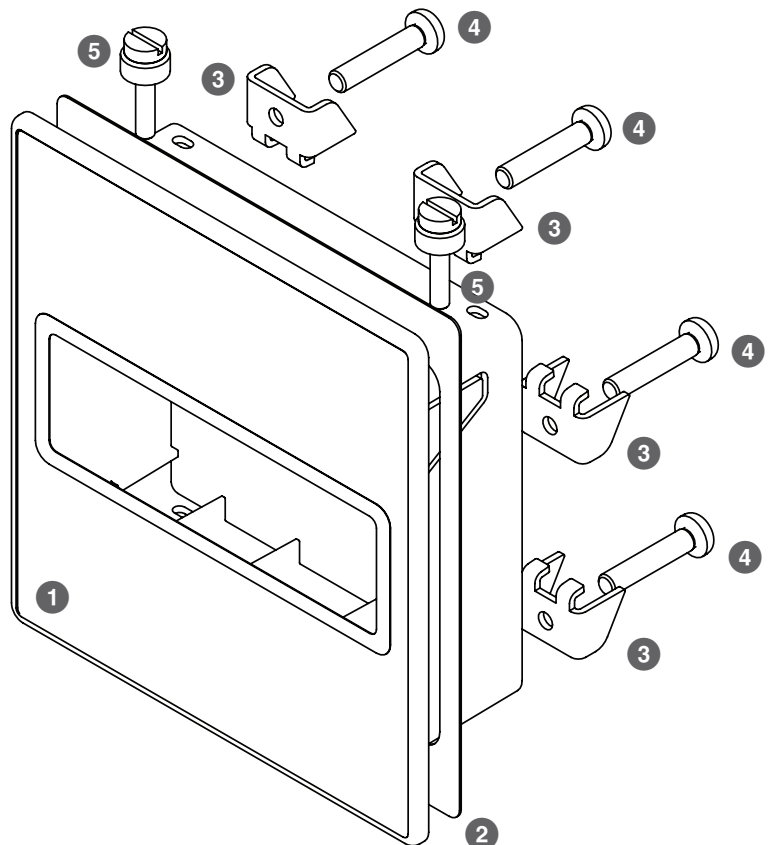
#### Admissible ambient conditions

- Ambient temperature: 0 to 55°C
- Transport temperature: - 20 to + 80°C
- Storage temperature: - 20 to + 70°C
- Relative humidity: max. 95%,  
no moisture condensation

#### Admissible installation positions

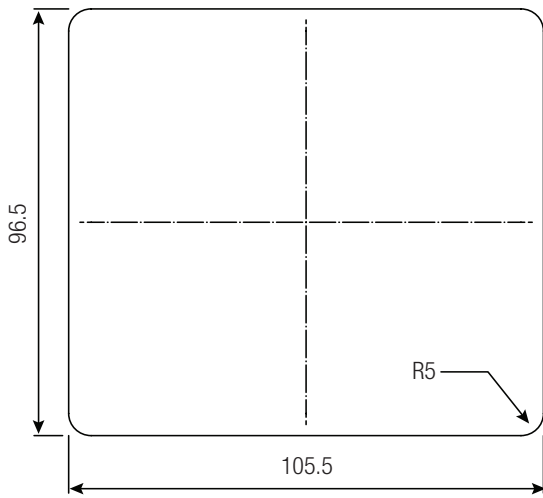
- For indoor use only

### Parts


**Fig. 2**

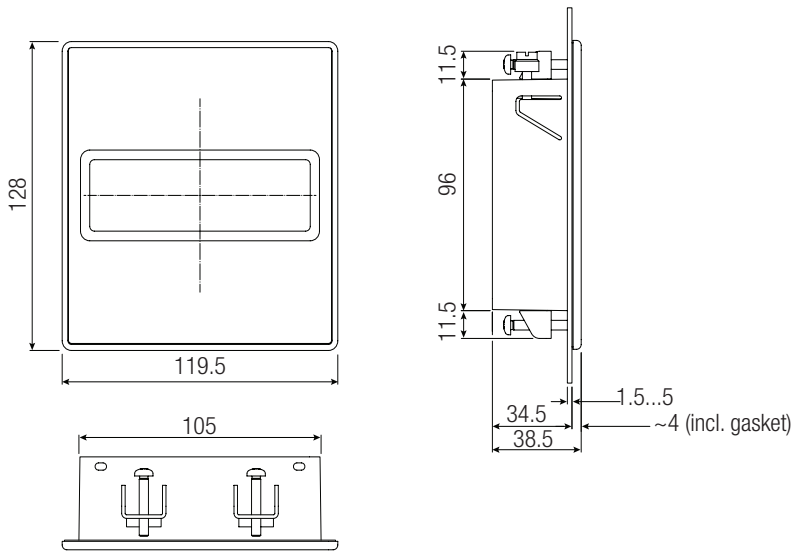
**Dimensions (approximate) in mm**

**Panel Cut Out**



**Fig. 3**

**Panel Adaptor**



**Fig. 4**



**Note**

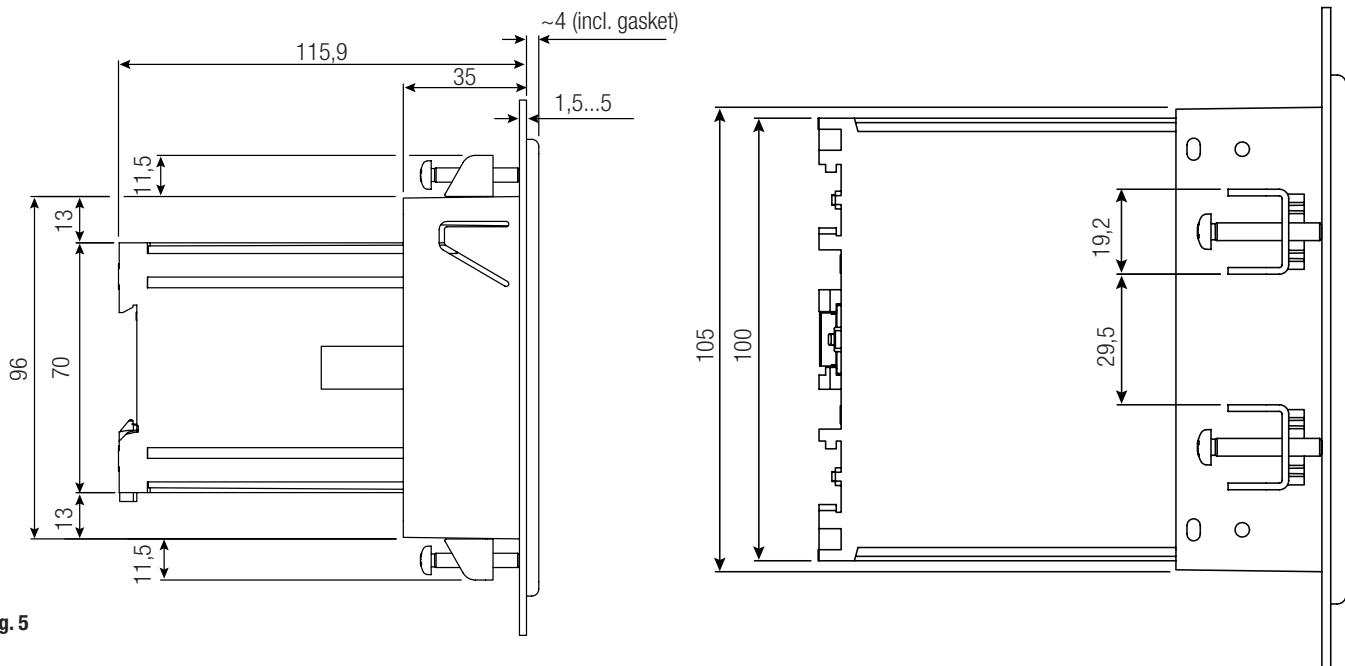
The recommended minimum spacing between panel cut outs is 19 mm.



**Note**

When installed in tight enclosures without pressure compensation use a "pressure compensation element" to equalize pressure differences caused by temperature changes. Without pressure compensation moisture can be sucked in and the IP protection can not be guaranteed.

**Dimensions of a controller assembled into Panel Adaptor**



**Fig. 5**

## Installation

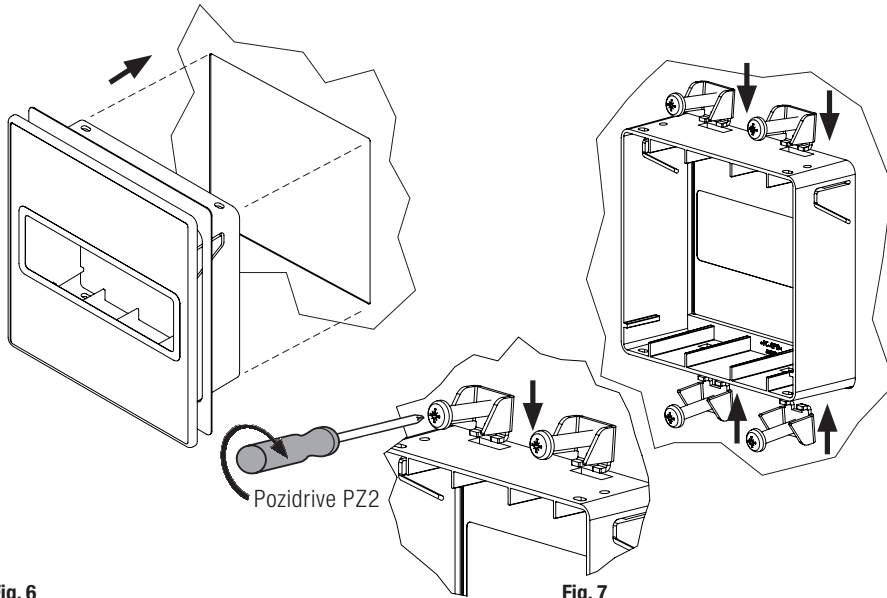


Fig. 6

Fig. 7

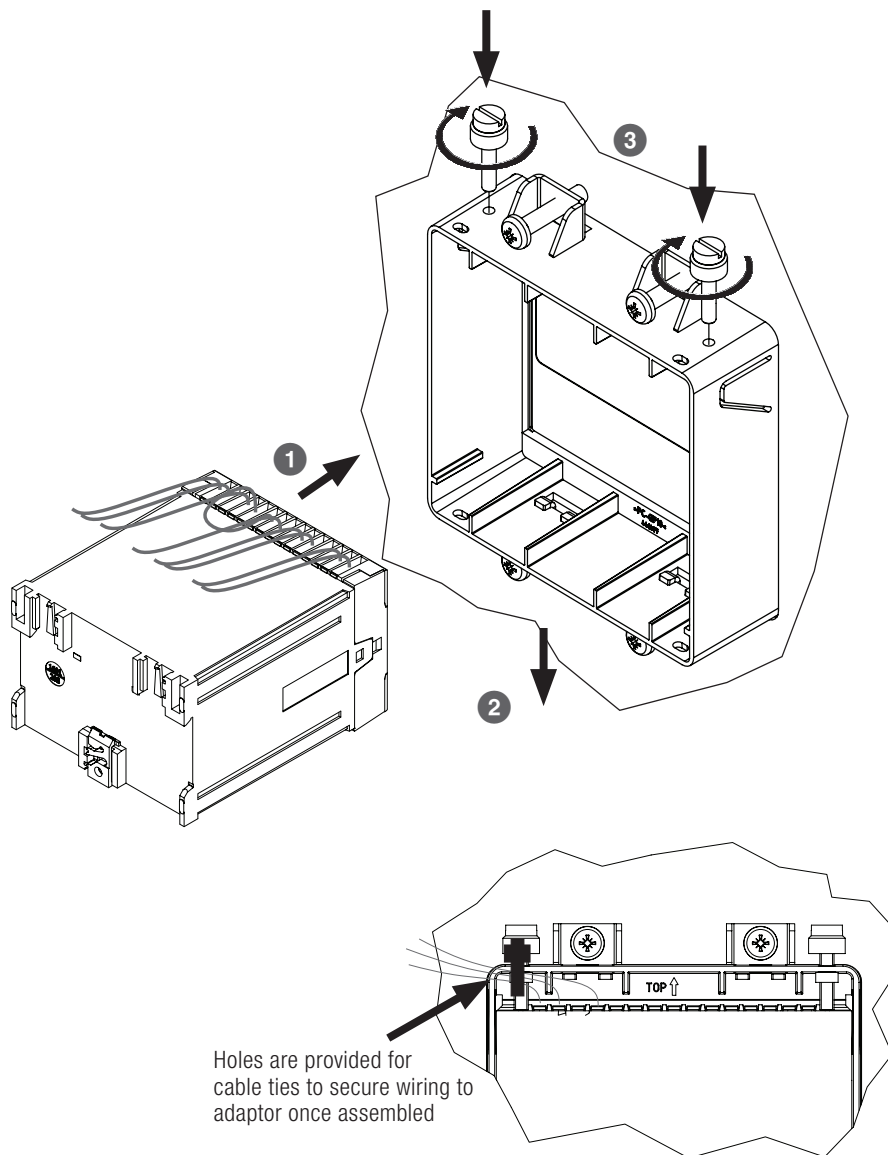


Fig. 8



### Note

The safety section of the controllers installation manual must be read before the installation of the panel adaptor is attempted.



### Note

Torque for clamp screws: 0.3 - 0.4 Nm  
Do not over tighten causing excessive bending of the adaptor.



### Note

If vibration is expected during transportation or operation of the assembled unit, use a locking medium for the clamp screws (e.g. Loctite low-strength).



### Note

Ensure that the wires are not trapped or damaged when the thumb screws are tightened and do not over tighten causing excessive bending of the screws, controller housing or adaptor.



### Note

The controller must be wired before it is inserted into the adaptor.

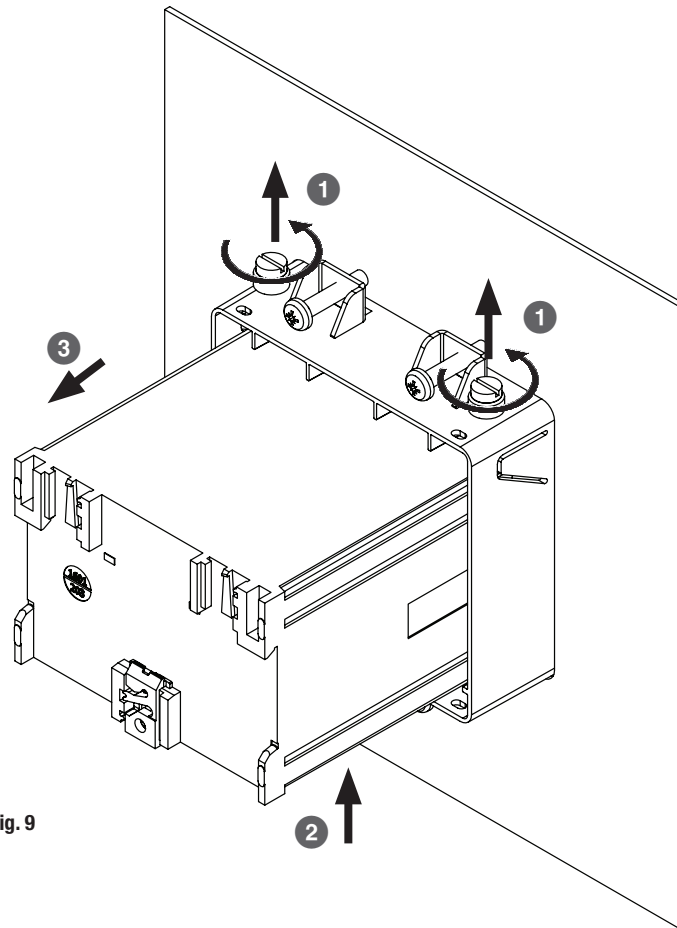


Fig. 9

### Maintenance

The equipment must be inspected and cleaned regularly to prevent the build-up of dust on the product. The adaptor should only be wiped with a damp cloth using non aggressive cleaning agents. The front membrane and gasket should be regularly inspected for damage.

Supply in accordance with our general terms of business.

## GESTRA AG

Münchener Straße 77, 28215 Bremen, Germany  
Telefon +49 421 3503-0, Telefax +49 421 3503-393  
E-mail [info@de.gestra.com](mailto:info@de.gestra.com), Web [www.gestra.de](http://www.gestra.de)