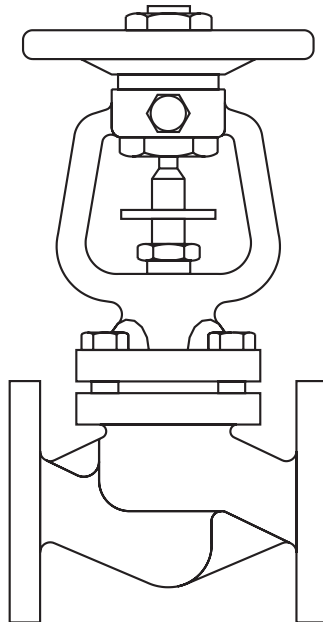


GAV 66AF-T

Stainless Steel Bellows Sealed
Stop Valves


- 1 Safety information
- 2 General product information
- 3 Installation
- 4 Commissioning
- 5 Operation
- 6 Maintenance
- 7 Spare parts



Safe operation of these products can only be guaranteed if they are properly installed, commissioned, used and maintained by qualified personnel (see Section 1.11) in compliance with the operating instructions. General installation and safety instructions for pipeline and plant construction, as well as the proper use of tools and safety equipment must also be complied with.

Intended use

Referring to the Installation and Maintenance Instructions, name-plate and Technical Information Sheet, check that the product is suitable for the intended use/application.

The products listed below comply with the requirements of the Pressure Equipment Directive (PED) and carry the  mark when so required.

The products fall within the following Pressure Equipment Directive (PED) categories:

Product		Group 1 Gases	Group 2 Gases	Group 1 Liquids	Group 2 Liquids
GAV 66AF-T (PN40)	DN15 - DN25	SEP	SEP	SEP	SEP
	DN32	2	SEP	SEP	SEP
	DN40 - DN50	2	1	SEP	SEP
	DN65 - DN100	2	1	2	SEP

- i) The product has been specifically designed for use on steam, compressed air and water/condensate which are in Group 2 of the above mentioned Pressure Equipment Directive.
- ii) Check material suitability, pressure and temperature and their maximum and minimum values. If the maximum operating limits of the product are lower than those of the system in which it is being fitted, or if malfunction of the product could result in a dangerous overpressure or overtemperature occurrence, ensure a safety device is included in the system to prevent such over-limit situations.
- iii) A number of products are supplied for the intention of the end user (or agent thereof) modifying the flange configuration from that supplied. It is the responsibility of the organisation carrying out the modification to do so in accordance with the internationally recognised flange standards and to ensure that the design rating and operation of the product are not compromised. Gestra will not be held responsible for any unapproved modification or consequential liability resulting in failure to observe these requirements.
- iv) Determine the correct installation situation and direction of fluid flow.
- v) Gestra products are not intended to withstand external stresses that may be induced by any system to which they are fitted. It is the responsibility of the installer to consider these stresses and take adequate precautions to minimise them.
- vi) Remove protection covers from all connections and protective film from all name-plates, where appropriate, before installation on steam or other high temperature applications.

Note:

(SEP) **Sound engineering practice** means generally accepted engineering principles or practices.

1.2 Access

Ensure safe access and if necessary a safe working platform (suitably guarded) before attempting to work on the product. Arrange suitable lifting gear if required.

1.3 Lighting

Ensure adequate lighting, particularly where detailed or intricate work is required.

1.4 Hazardous liquids or gases in the pipeline

Consider what is in the pipeline or what may have been in the pipeline at some previous time. Consider: flammable materials, substances hazardous to health, extremes of temperature.

1.5 Hazardous environment around the product

Consider: explosion risk areas, lack of oxygen (e.g. tanks, pits), dangerous gases, extremes of temperature, hot surfaces, fire hazard (e.g. during welding), excessive noise, moving machinery.

1.6 The system

Consider the effect on the complete system of the work proposed. Will any proposed action (e.g. closing isolation valves, electrical isolation) put any other part of the system or any personnel at risk? Dangers might include isolation of vents or protective devices or the rendering ineffective of controls or alarms. Ensure isolation valves are turned on and off in a gradual way to avoid system shocks.

1.7 Pressure systems

Before attempting any maintenance consider what is or may have been in the pipeline.

Ensure that any pressure is isolated and safely vented to atmospheric pressure before attempting to maintain the product. Do not assume that the system is depressurised even when a pressure gauge indicates zero.

Temperature

Allow time for temperature to normalise after isolation to avoid the danger of burns and consider whether protective clothing (including safety glasses) is required.

1.8

Tools and consumables

Before starting work ensure that you have suitable tools and/or consumables available. Use only genuine Gestra replacement parts.

1.9

Protective clothing

Consider whether you and/or others in the vicinity require any protective clothing to protect against the hazards of, for example, chemicals, high/low temperature, radiation, noise, falling objects, and dangers to eyes and face.

1.10

Permits to work

All work must be carried out or be supervised by a suitably competent person. Installation and operating personnel should be trained in the correct use of the product according to the Installation and Maintenance Instructions.

Where a formal 'permit to work' system is in force it must be complied with. Where there is no such system, it is recommended that a responsible person should know what work is going on and, where necessary, arrange to have an assistant whose primary responsibility is safety.

Post 'warning notices' if necessary.

1.11

Handling

Manual handling of large and/or heavy products may present a risk of injury. Lifting, pushing, pulling, carrying or supporting a load by bodily force can cause injury particularly to the back. You are advised to assess the risks taking into account the task, the individual, the load and the working environment and use the appropriate handling method depending on the circumstances of the work being done.

1.12

Residual hazards

In normal use the external surface of the product may be very hot. If used at the maximum permitted operating conditions the surface temperature of some products may reach temperatures in excess of 400 °C (752 °F).

Many products are not self-draining. Take due care when dismantling or removing the product from an installation (refer to Section 6 'Maintenance').

1.13

Freezing

Provision must be made to protect products which are not self-draining against frost damage in environments where they may be exposed to temperatures below freezing point.

1.14

Safety information - Product specific

See the relevant Sections for specific details relating to these products.

1.15

Warning

The body/bonnet collar gaskets contain a thin stainless steel support ring which may cause physical injury if they are not handled and disposed of carefully.

Care must be taken when opening and closing the handwheel to prevent any possible injury to the hands from the locking screw.

1.16

Lifting

Although the bonnet and handwheel will support the weight of the valve, it is recommended the slings for lifting are positioned around the back of the pipe flanges on the main body.

1.17

1.18 Isolation

Consider whether closing isolating valves will put any other part of the system or personnel at risk. Dangers might include; isolation of vents and protective devices or alarms. Ensure isolation valves are turned off in a gradual way to avoid system shocks.

1.19 Disposal

Unless otherwise stated in the Installation and Maintenance Instructions, this product is recyclable and no ecological hazard is anticipated with its disposal providing due care is taken.

1.20 Returning products

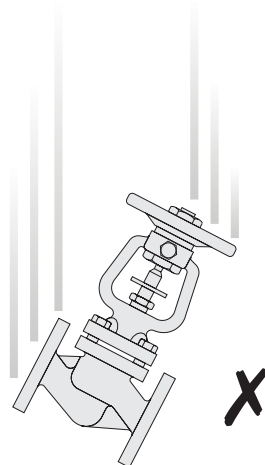
Customers and stockists are reminded that under EC Health, Safety and Environment Law, when returning products they must provide information on any hazards and the precautions to be taken due to contamination residues or mechanical damage which may present a health, safety or environmental risk. This information must be provided in writing including Health and Safety data sheets relating to any substances identified as hazardous or potentially hazardous.

1.21 Working safely with cast iron products on steam

Cast iron products are commonly found on steam and condensate systems. If installed correctly using good steam engineering practices, it is perfectly safe. However, because of its mechanical properties, it is less forgiving compared to other materials such as SG iron or carbon steel. The following are the good engineering practices required to prevent waterhammer and ensure safe working conditions on a steam system.

Safe Handling

Cast Iron is a brittle material. If the product is dropped during installation and there is any risk of damage the product should not be used unless it is fully inspected and pressure tested by the manufacturer.




General description

A range of bellows sealed, in-line stop valves having flanged PN40 connections are available for steam, gas, liquid, condensate and water systems.

The GAV 66AF-T is a completely stainless steel bellows sealed stop valve.

As standard the valve is available with twin ply bellows, throttling plug, locking device, grease nipple and provision for a stroke limiter.

Standards

The product fully complies with the requirements of the Pressure Equipment Directive (PED) and carries the  mark when so required.

Certificate

These products are available with certification to EN 10204 3.1.B.

Note: All certification/inspection requirements must be stated at the time of order placement.

Note: For any additional information see Technical Information Sheet, GAV 6 (TI-S22-03-EN-ISS1 CMGT).

2.1

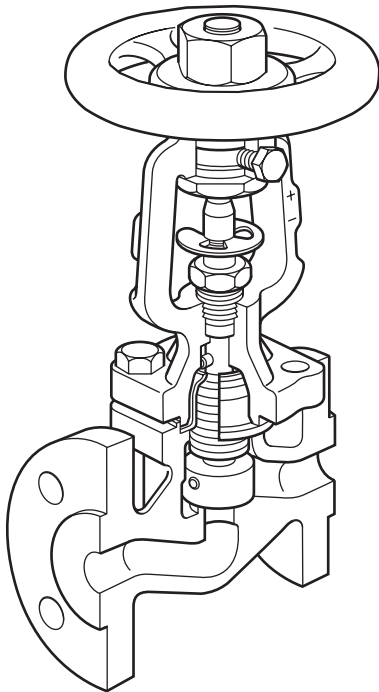


Fig. 1 Bellows sealed stop valve

Stroke limiter for throttling versions

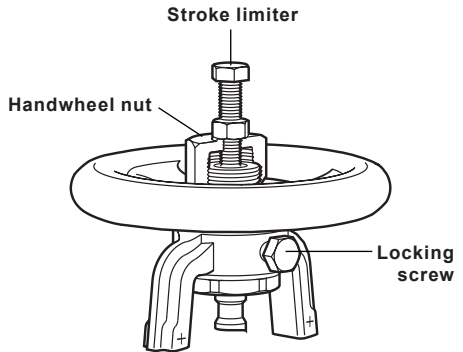


Fig. 2

The handwheel nut on the GAV66AF-T has a threaded hole for provision of a stroke limiter. Customer to supply standard nuts and bolts as indicated in the table below:

Size	Hexagon bolt
DN15 - DN80	M8 x 50 mm
DN100	M12 x 75 mm

Sizes and pipe connections

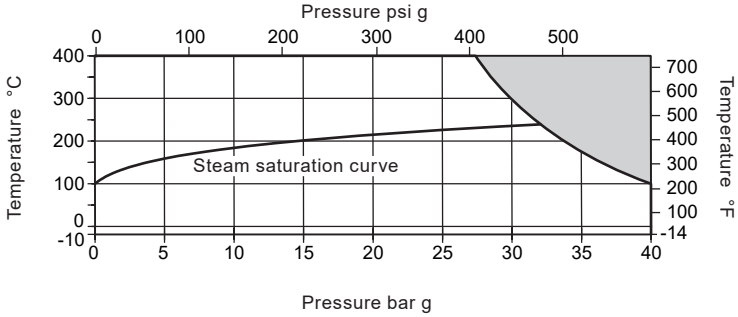
DN15, 20, 25, 32, 40, 50, 65, 80 and 100

Flanged EN 1092 PN40

Face-to-face EN 558

2.2

2.3 Pressure/temperature limits



The product **must not** be used in this region.

Body design conditions		PN40	
PMA	Maximum allowable pressure	40 bar g @ 100 °C	(580.2 psi g @ 212 °F)
TMA	Maximum allowable temperature	400 °C @ 27.4 bar g	(752 °F @ 397.4 psi g)
Minimum allowable temperature		-10 °C	(14 °F)
PMO	Maximum operating pressure for saturated steam service	Metal seat	32.2 bar g @ 240 °C (467 psi g @ 464 °F)
		Soft seat	27.0 bar g @ 230 °C (391.6 psi g @ 446 °F)
TMO	Maximum operating temperature	Metal seat	400 °C @ 27.4 bar g (752 °F @ 397.4 psi g)
		Soft seat	230 °C @ 27.0 bar g (446 °F @ 391.6 psi g)
Minimum operating temperature		-10 °C	(14 °F)
		On/ off function	Limited to the PMO
ΔPMX	Maximum differential pressure	Throttling function	
		DN15 - DN80	2 bar (29.0 psi)
		DN100	1.5 bar (21.75 psi)
Designed for a maximum cold hydraulic test pressure of:		60 bar g	(870 psi g)
PTMX	Maximum test pressure	60 bar g	(870 psi g)

Note: Before actioning any installation observe the 'Safety information' in Section 1.

Referring to the Installation and Maintenance Instructions, name-plate and Technical Information Sheet, check that the product is suitable for the intended installation:

Check materials, pressure and temperature and their maximum values. If the maximum operating limit of the product is lower than that of the system in which it is being fitted, ensure that a safety device is included in the system to prevent overpressurisation.

3.1

Remove the protective covers from all connections.

3.2

Install the valve in the direction of flow given by the arrow on the body. The preferred position is with the spindle vertical. The valve can be installed from the vertical to the horizontal plane (see Figure 3, page 12).

3.3

When installed on steam systems a suitable steam trap should be fitted immediately upstream of the isolation valve to drain condensate. This will ensure drainage of the pipe when the valve is closed, and will prevent damage of the valve due to waterhammer. The drain trap should be either a ball float or thermodynamic type. Correct condensate drainage of all upstream pipework is also vital.

3.4

Always open isolation valves slowly to avoid system shocks.

3.5

Note: It is advisable that when work is being carried out downstream of a valve installation, double isolation (block and bleed) should be fitted. In addition when installed as the final valve in a pipeline, as a safety precaution, a blanking plate or blank flange must be fitted to the outlet flange of the valve.

3.6

Commissioning 4

After installation or maintenance ensure that the system is fully functioning. Carry out tests on any alarms or protective devices.

5 Operation

5.1 The bellows sealed isolation valve plays an important role in the conservation of energy by eliminating fugitive stem seal emissions.

5.2 The valve is operated manually by a handwheel. Special care must be taken to ensure that the movement is made in the correct direction.

To open the valve fully, it is recommended to turn the handwheel until the shaft is raised to the maximum position, indicated by the (+) on the bonnet, then turn the handwheel clockwise an to $\frac{1}{4}$ turn to remove any backlash. This is to prevent the possibility of attempting to force open a valve, which is already fully open, resulting in damage to the stem, bellows unit or other components. Gestra GAV valves are fitted with a position indicator which can be found on the stem, and should align with the (+) or (-) on the bonnet support pillars. (+ = fully open/- = fully closed).

5.3 If valve 'keys' are used care must be taken not to use excessive force when opening or closing the valve.

5.4 GAV 66AF-T valves are fitted with a throttling plug to allow close control when opening the valve. The number of turns open will affect the flowrate through the valve.

Once correct flowrate is obtained ensure the locking screw and stroke limiter (see Fig. 4) are tightened. This will minimise any vibration. The effect of valve opening for each valve size can be seen in the chart opposite.

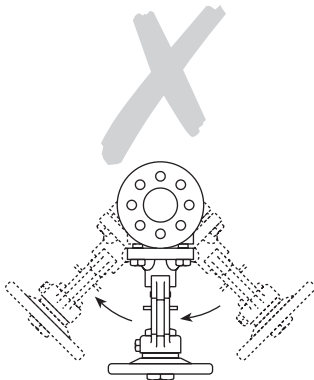
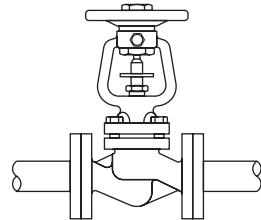
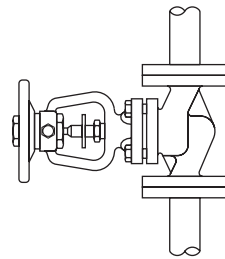
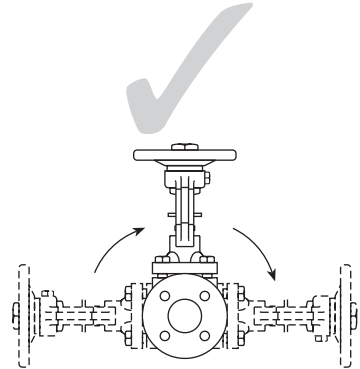


Fig. 3

Incorrect installation

Correct installation

GAV-T flow data - The effect of valve opening for each valve size

Size DN	15	20	25	32	40	50	65	80	100
Handwheel rotations	Kv values for given handwheel rotations tested to EN 60534-2-3 Water at 20 °C								
0	0	0	0	0	0	0	0	0	0
0.5	1.2	1.2	1.4	2.2	4.4	4.1	5.6	10.4	12.0
1	1.7	1.7	2.0	3.7	5.0	5.0	7.0	11.5	14.3
1.5	2.7	2.9	2.9	5.0	5.5	6.0	9.2	13.6	24.5
2	3.6	4.0	4.6	7.9	7.6	7.2	11.6	16.3	34.1
2.5	4.4	5.3	6.4	10.6	11.0	9.7	12.4	18.5	59.6
3	5.4	6.6	8.5	13.8	14.7	14.1	13.0	21.1	86.2
4			10.6	17.0	22.6	24.4	25.2	24.5	123.0
4.5			11.2	18.3	24.4	29.4	32.5	29.0	139.0
5			11.9	19.6	27.2	37.0	43.6	39.1	164.1
6					28.9	46.2	60.2	61.0	179.0
6.5					29.1	47.0	63.0	69.0	186.0
6.7					29.3	47.2	64.3	73.0	
7							65.9	78.0	
8							71.2	90.0	
8.5							74.6	92.0	
9.5								99.0	
10								101.6	

Stroke limiter for throttling versions

The handwheel nut on the GAV 66AF-T has a threaded hole for the provision of a stroke limiter. Customer to supply standard nuts and bolts as indicated in the table below:

Size	Hexagon bolt
DN15 - DN80	M8 x 50 mm
DN100	M12 x 75 mm

Note: The maximum permissible differential pressure in throttling function:

DN15 - DN80	2.0 bar
DN100	1.5 bar

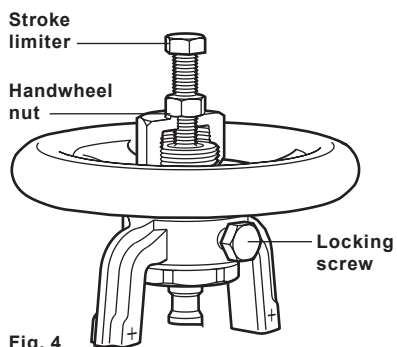


Fig. 4

6 Maintenance

Safety note:

Before actioning any maintenance programme observe the data in Section 1 - 'Safety information'.

Note: A grease nipple has been provided to enable simple lubrication of the stem and bonnet bush. It is recommended that lubrication is undertaken periodically.

All the internals of the bellows sealed valve can be replaced (See Section 7, Spare parts).

Warning

The body/ bonnet collar gaskets (10a and 10b) contain a thin stainless steel support ring which may cause physical injury if they are not handled and disposed of carefully.

6.1

Before undertaking any maintenance on the valve, ensure that any pressure is isolated and safely vented to atmospheric pressure. The valve should then be allowed to cool.

When reassembling, ensure that all joint faces are clean.

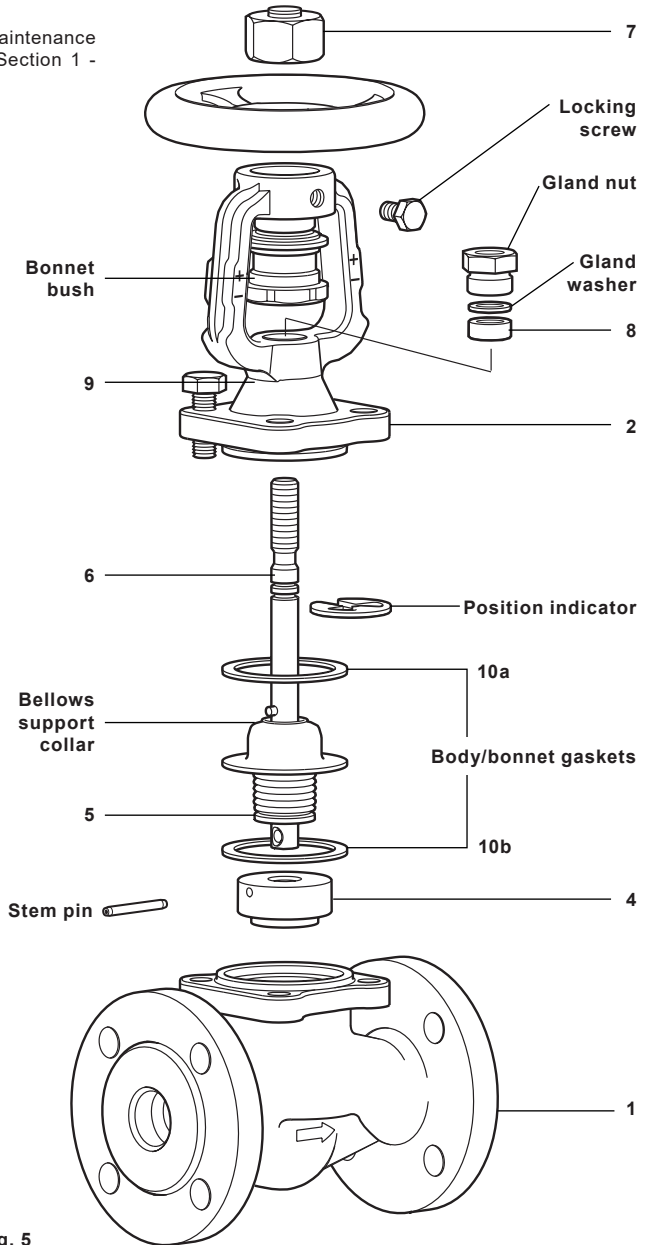


Fig. 5

How to fit the body/bonnet gaskets

This can be carried out whilst the valve is connected in the pipeline. Remove the valve bonnet (2) from the body (1) by unscrewing bonnet studs/ nuts (9). The body gasket (10b) is now visible and can quickly be replaced. Ensure the gasket face in the body (1) is clean before fitting a replacement.

To replace the second gasket (10a) which is situated between the bonnet (2) and the stainless steel bellows support collar, firstly remove the clip-on position indicator, remove the locking screw (GAV-T versions only). Rotate the handwheel (7) in a clockwise direction. This pushes the main stem (6) downwards and creates a gap between the bellows support collar and the bonnet (2). If the support collar remains attached to the bonnet (2), gently prise the collar away from the bonnet being careful not to damage the collar.

Do not allow the bellows to stretch as this can reduce the bellows life.

By continually rotating the handwheel (7) in a clockwise direction, the stem (6) can be unscrewed from the bonnet bush. When the stem (6) is disconnected from the bonnet bush, unscrew the gland nut (unbolt the gland flange if fitted) and remove both this and the gland washer (or gland follower if fitted).

Keep these parts safe as they are not supplied as spares. The stem/bellows assembly (6, 5) can now be withdrawn out of the bonnet (2). The second bellows collar gasket (10a) can now be replaced - ensuring both the bellows support collar surface and bonnet surface are clean and the gasket is accurately located. Before the stem/bellows assembly (6, 5) is reassembled into the bonnet (2), the stem packing ring (8) should be replaced (see Section 6.3).

6.2

How to fit the stem packing

By following through Section 6.2 it is now possible to replace the stem packing ring (8). Two of these rings are provided in the spares kit but only one is required. Ensure all of the old stem packing material is removed from the bonnet cavity and all locating surfaces are clean. Valve assembly is the opposite to removal - remembering to fit a bellows collar gasket between the collar and the valve bonnet. Ensure the solid stem pin (which is pressed into the stem) is aligned with the slot inside the bonnet. Before screwing the end of the stem into the bonnet bush remember to fit a new stem packing ring (8), the original gland washer (or gland follower) and gland nut (or gland flange) over the stem. **Do not allow the stem thread to damage the inner surface of the gland packing ring.**

Carefully slide the new packing ring down the stem into the cavity and slide the original gland washer (or gland follower if fitted) on top of the packing ring. Remember to tighten the gland packing ring after the valve has been fully assembled.

6.3

How to fit the stem and bellows assembly

By following through Section 6.2 it is now possible to fit a new stem/ bellows assembly (6, 5). Fitting this is opposite to removal - remembering to fit a bellows collar gasket (10a) between the bellows support collar and valve bonnet (2). Ensure the bellows collar gasket (10a) is accurately located.

Before fitting the new stem/bellows assembly (6, 5) into the bonnet (2), apply a small amount of lubricating compound such as Gulf Sovereign LC grease to the end of the stem pin (which is pressed into the stem). Ensure the stem pin is aligned with the slot inside the bonnet. Carefully slide the stem up through the bonnet. Before screwing the end of the stem into the bonnet bush remember to fit a new stem packing ring (8) (see Section 6.3), the original gland washer (or gland follower) and gland nut (or gland flange) over the stem (6). Do not allow the stem thread to damage the inner surface of the gland packing ring. Carefully slide the new packing ring down the stem into the cavity and slide the original gland washer (or gland follower if fitted) on top of the packing ring (8). Remember to tighten the gland packing ring after the valve has been fully assembled.

6.4

How to fit the disc

By following through Section 6.2 it is now possible to replace the valve's disc. To replace the disc (4) simply remove the old stem pin and replace the disc (4). Attach the new disc with the new stem pin (supplied).

6.5

6.6 Final assembly

Ensure the bellows support collar and gaskets (**10a**, **10b**) are accurately aligned with the bonnet (**2**) before final assembly into the body (**1**).

Tighten the bonnet bolts/nuts (**9**) evenly to the recommended tightening torque (See Table 1).

Handwheel


The handwheel (**7**) is not supplied as a spare part. However, to remove the handwheel unscrew the main handwheel nut in a clockwise direction.

Note: The thread in the handwheel nut is left handed, so it must be unscrewed in a clockwise direction. Place a suitable spanner (a detailed drawing is available from Gestra) across the flats of the bonnet bush (**2**) and unscrew the handwheel in the normal way.

Note: the handwheel maybe firmly secured on the bonnet bush (**2**). Refitting the handwheel is the opposite to removal.

Apply Loctite 638 to the threads of the handwheel boss and tighten to 50 N m (36 lbf ft). Remember to tighten the handwheel nut to 40 N m (29 lbf ft) in an anticlockwise direction.

Table 1 Recommended bonnet tightening torques

Size	 mm	N m (lbf ft)
DN15 - DN32	17 A/F	35 - 40 (26 - 29)
DN40 - DN65	19 A/F	55 - 60 (40 - 44)
DN80 - DN100	24 A/F	130 - 140 (95 - 103)

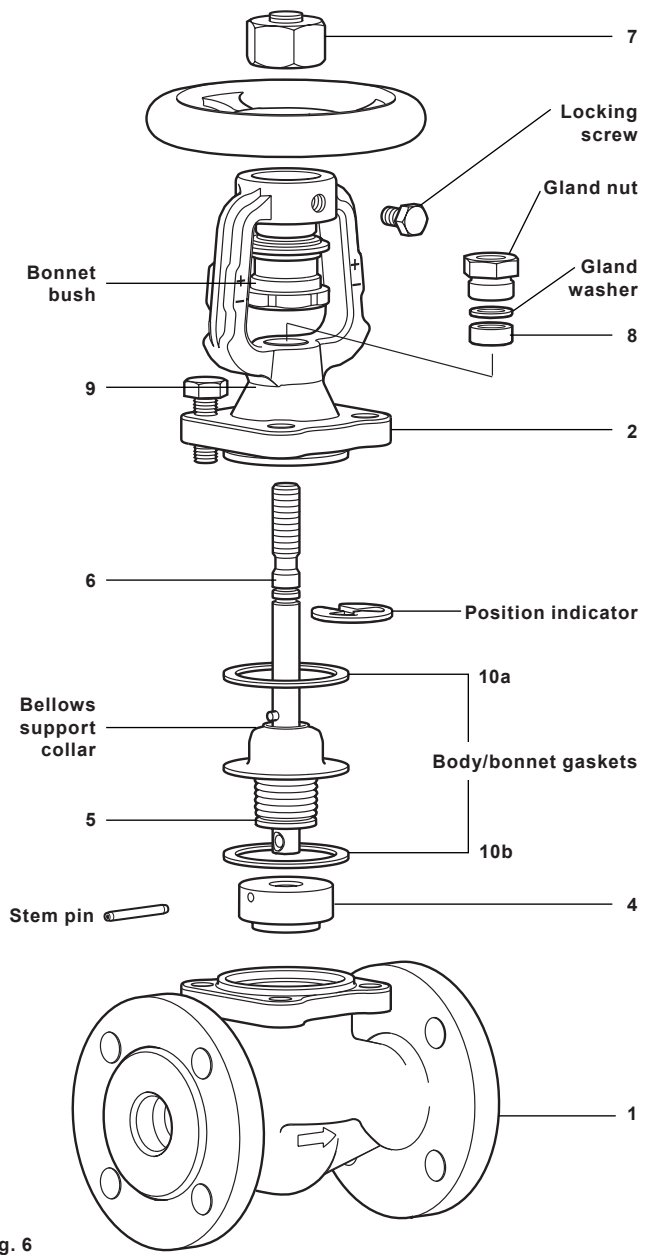


Fig. 6

7 Spare parts

The spare parts available are shown in heavy outline. Parts drawn in a grey line are not supplied as spares.

Available spares

Body/bonnet gasket and stem packing	10a, 10b, 8 (2 off)
Stem and bellows assembly	6, 5
Disc (state: soft sealing disc, where fitted)	4

How to order spares

Please note: for customer convenience spares are supplied in kits to ensure all the appropriate replacement parts are supplied to carry out a specific maintenance task. e.g. when a stem/bellows assembly is ordered, parts (10a and 10b), (8) and (6, 5) will be included in the kit.

Always order spares by using the description given in 'Available spares' and state the size and type of stop valve.

Example: 1 - Body/bonnet gasket and stem packing for a Gestra DN15 GAV 66AF-T PN40 bellows sealed stop valve.

Note: The gaskets (10a and 10b) contain sharp metal reinforcement, please handle with care.

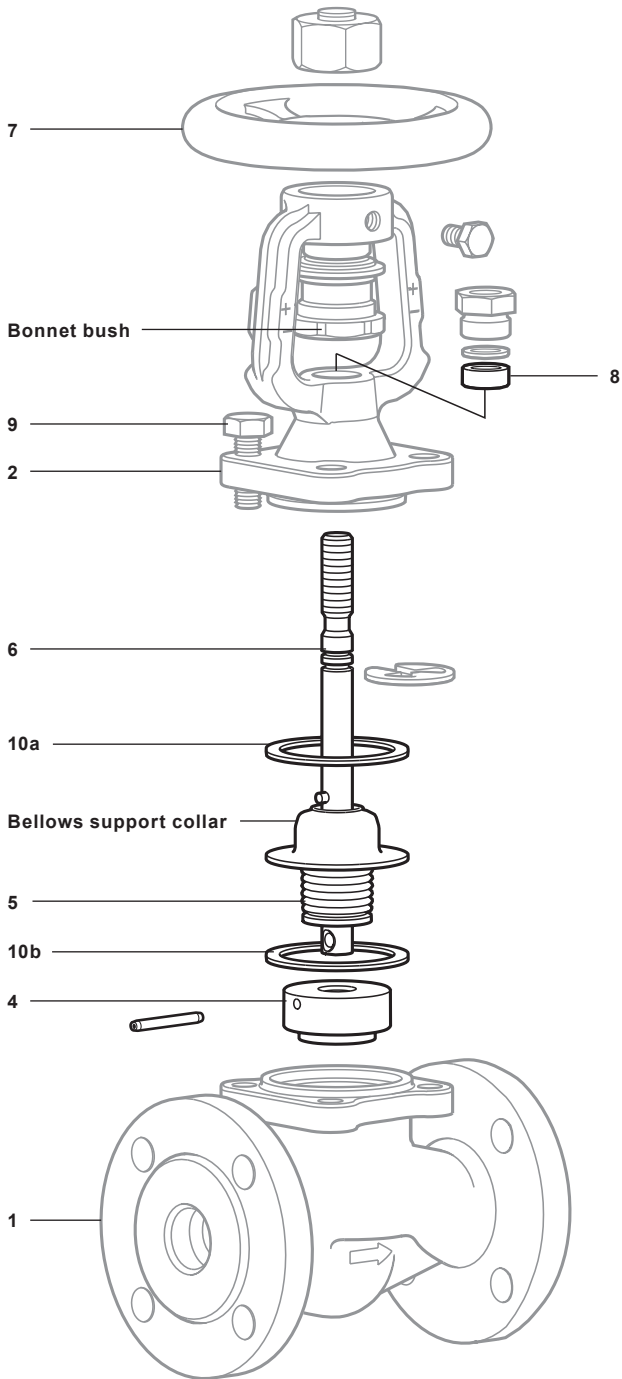


Fig. 7



Agencies all over the world: www.gestra.de

GESTRA AG

Münchener Straße 77

28215 Bremen

Germany

Telefon +49 421 3503-0

Telefax +49 421 3503-393

E-mail info@de.gestra.com

Web www.gestra.de